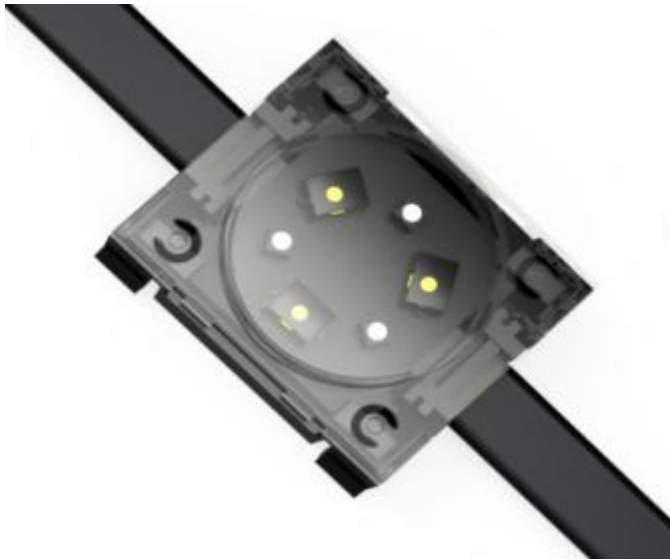


EXC-P43AP LED Pixel Light



Application Environment:
Indoor
Outdoor

Description

EXC-P43AP full color series are a full-color LED series string LED pixel, which are designed for outdoor landscape lighting by EXC-LED. Each EXC-P43AP pixel is a separate lighting pixel, and each pixel can realize 256 grades gray scale changing. They can be used for indoor and outdoor applications, such as building facade, shopping mall, celebration ceremony or party decoration. Customized pixel pitch, and easy installation.

Features

- The newest generation technology: DMX512 parallel bus design
- Clip on-off style connection and anti-pull connection without connector design
- High thermal conductivity transformer and full-sealed filling waterproof method by German imported glue
- Outdoor lighting protection and electrostatic discharge (ESD) protection design

Basic Specifications

Color Range	RGBW Full color
Light Source	4pcs SMD 3535RGB + 2pcs SMD 3030W LEDs
Source Life	50,000h
Material	Weather resistance, fire resistance, ABS (Black/ light gray color)/ PC lens
Weight	35g

Environmental Specifications

Working Temperature	-20°C to 50°C
Storage Temperature	-40°C to 70°C
Protection Rating	IP66

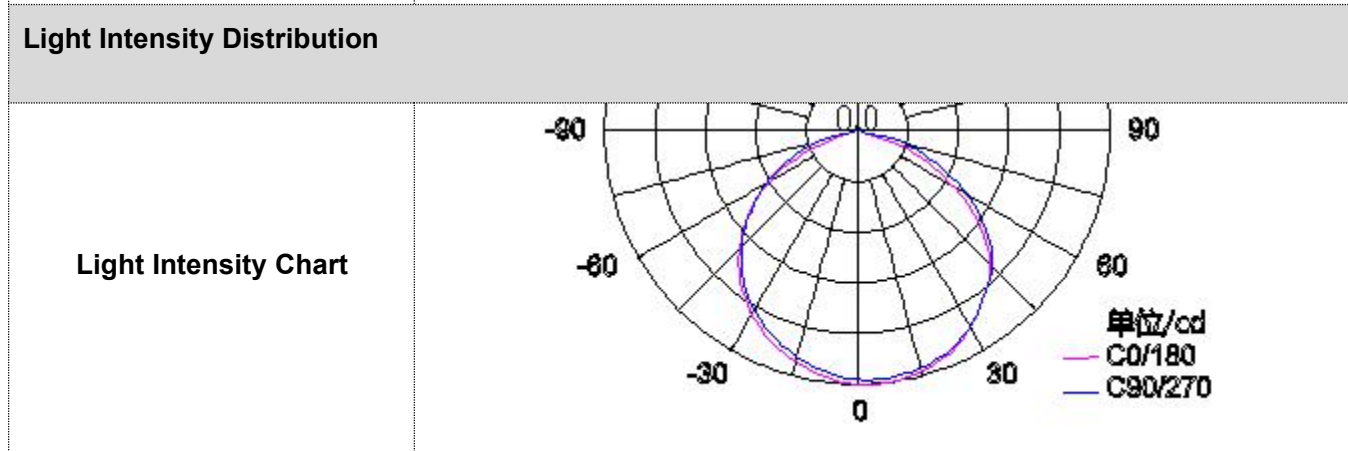
Electrical Specifications

Working Voltage	DC 15V
Max. Power Consumption	1.5W

Optical Specifications	
Central light intensity	Mixed white: 18cd
Beam Angle	≥ 105°

Controller	
Host Controller	EXC-4000、EXC-5000、EXC-6000、EXC-8000、EXC-10000、EXC-ELAN
Slave Controller	EXC-2900

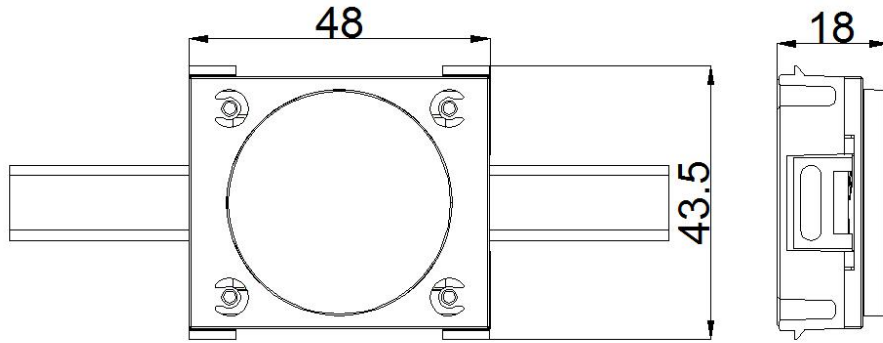
Data Interface	
Data Adapter	-
Signal Cable	EXC-LED outdoor special cable



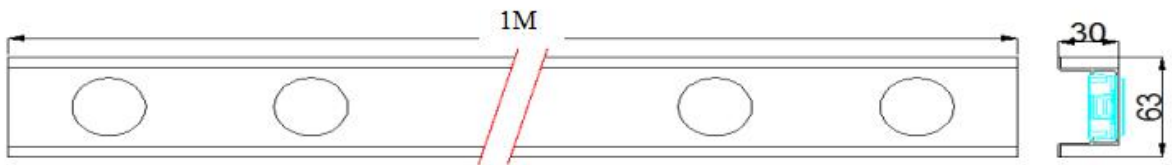
Order Info												
Series	Item No.	Light Source	Color	Control Method	Gray Scale	Visual Compensation	Fault Feedback	Material	Working voltage	Wattage	Central Light Intensity	Light Brand
Profession	EXC-P43 AP-6 F-B0	4 pcs SMD 3535 +2 pcs SMD 3030LE Ds	RGB W	DMX	65536	-	-	Plastic	DC15V	1.5W	18cd	CREE

Physical Dimension

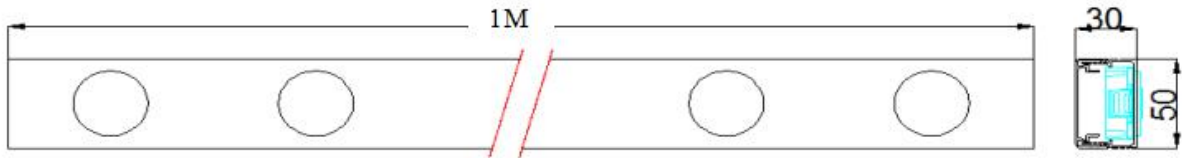
Unit: mm



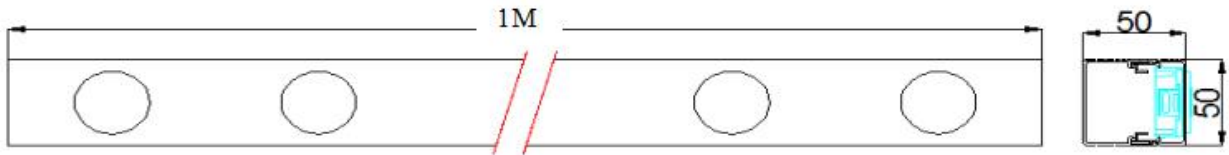
Mounting Accessories 1:



Mounting Accessories 2:



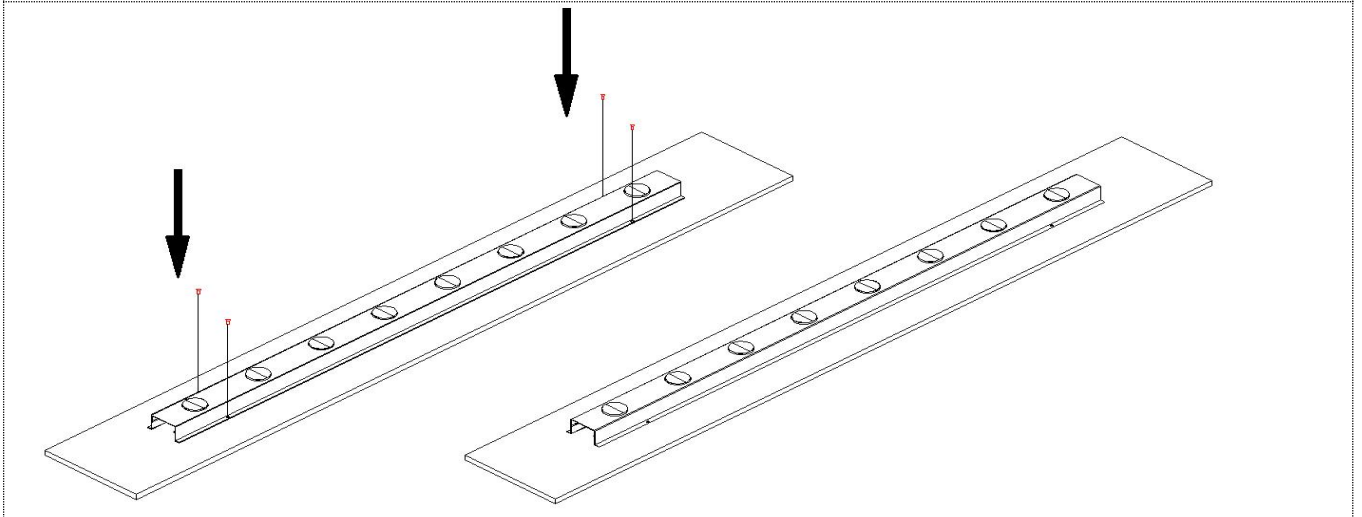
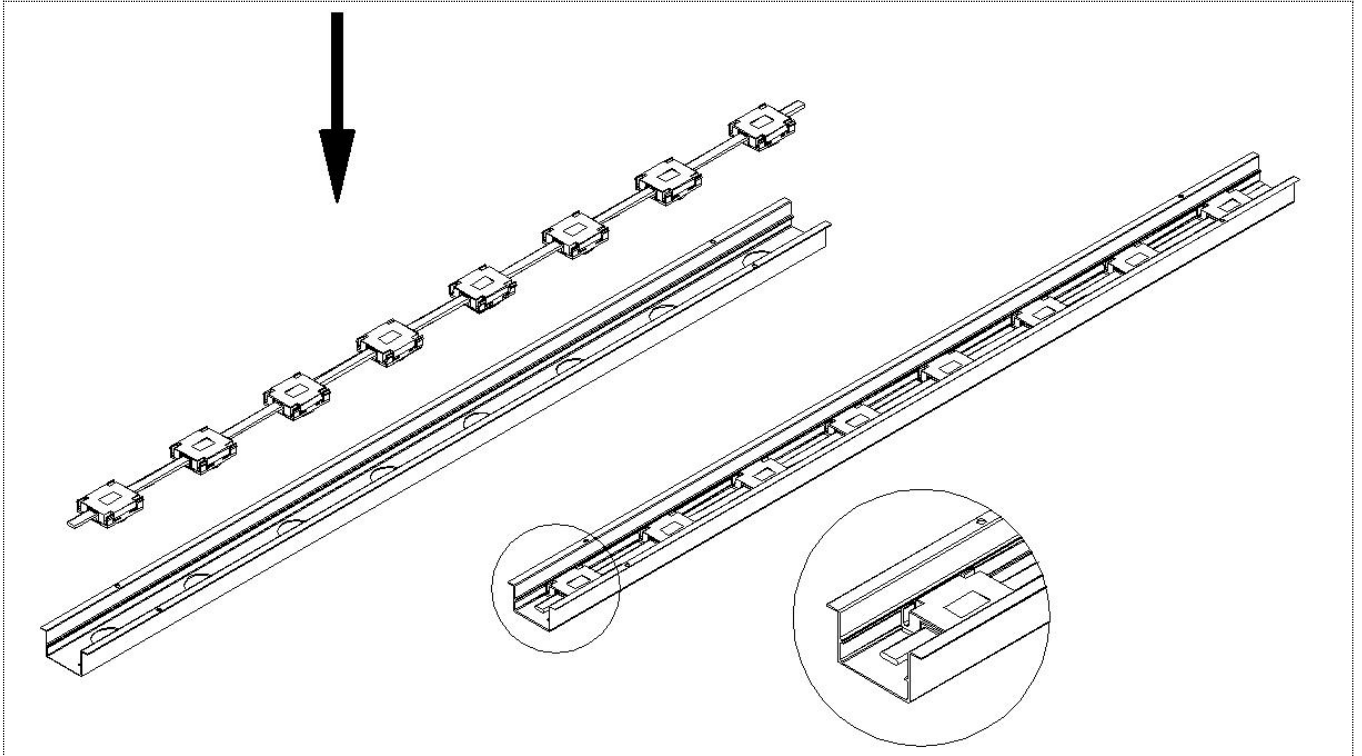
Mounting Accessories 2:



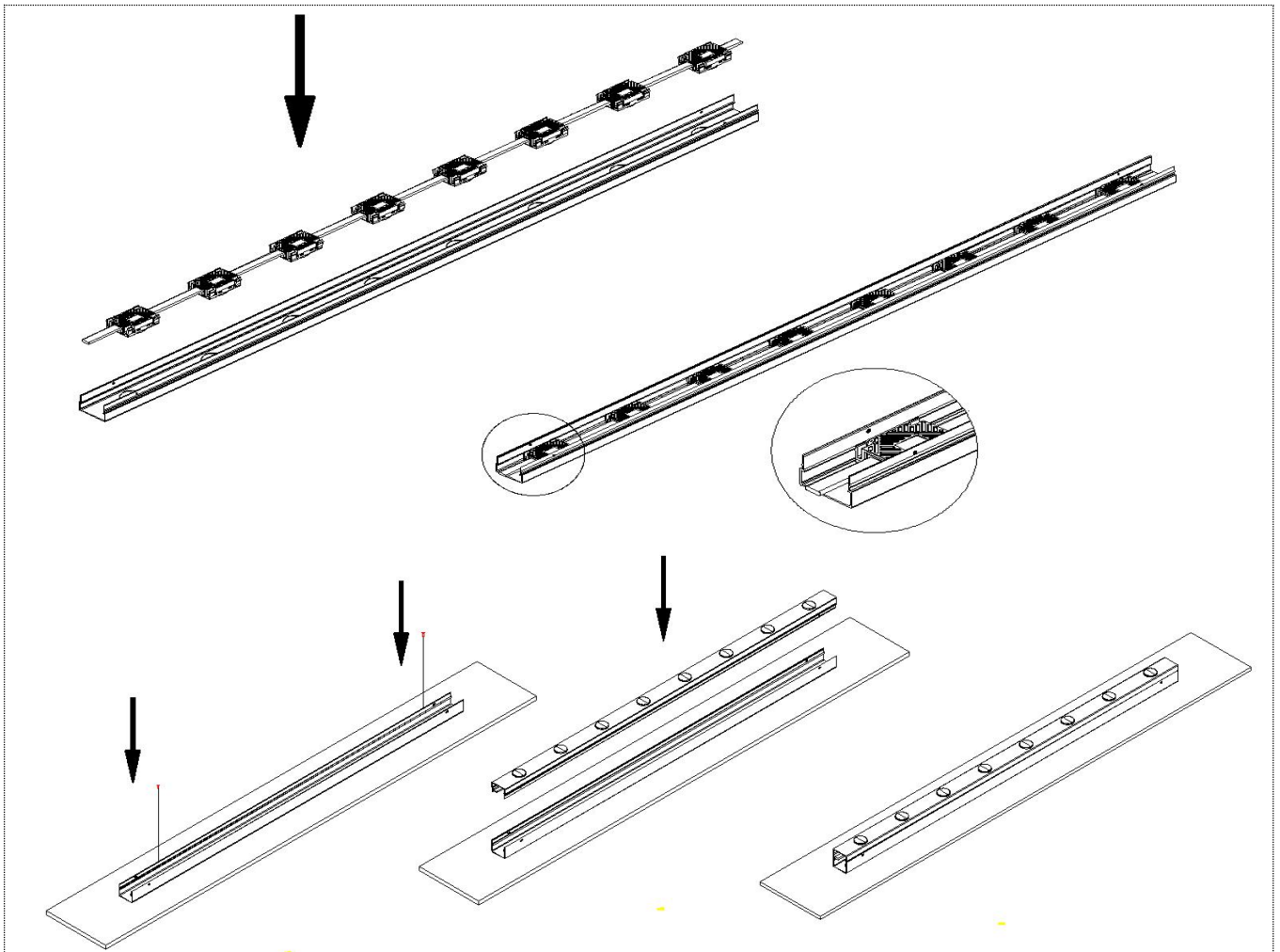
Installation Diagram

Mount by clip

Single-sided profile installation schematic:



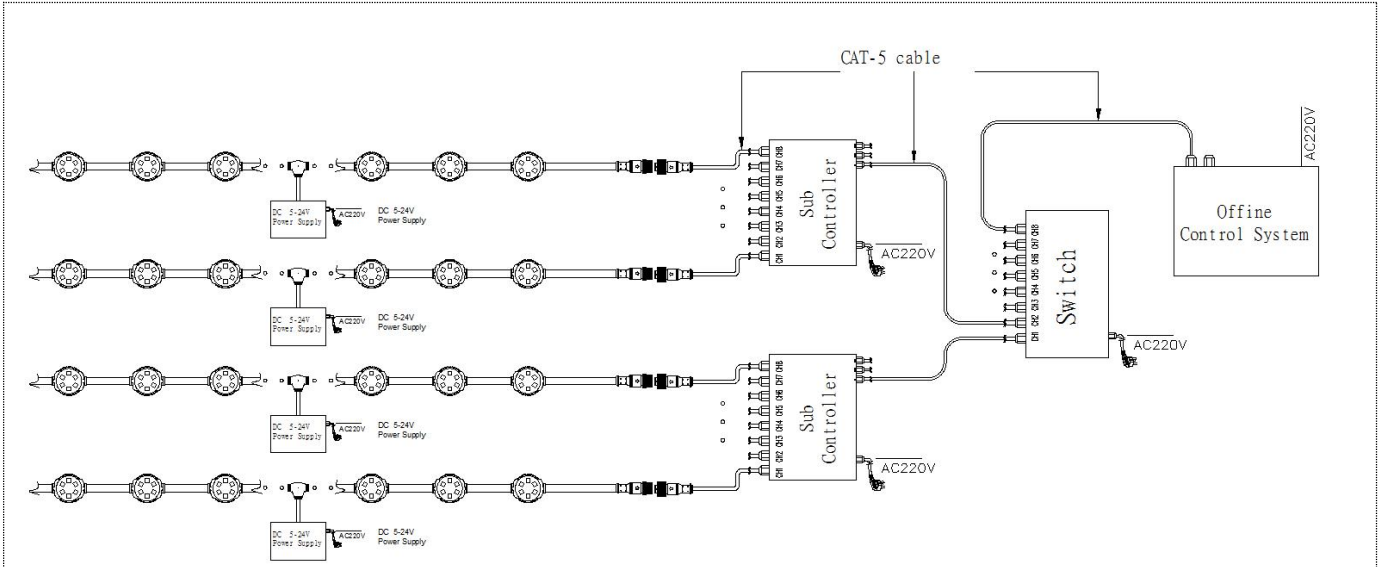
Double-sided profile installation schematic:



System connection diagram:

- 1、 Host controller should connect with slave controller. Working voltage for controllers are AC220V.
- 2、 On-line main controller should connect with slave controller, on-line main controller and sub controller working voltage are AC220V.
- 3、 each sub-controller with 8 ports, with each port 512 pixels, supporting data converter, supports 100 meters ultra-long haul transmission.
- 4、 The CAT-5 e. cable distance should be within 100 meters between host controller and slave controller, between slave controllers and switch, etc.
- 5、 the maximum spacing of not more than 5 meters, more than the need to add a signal amplifier.

Offline Controlling System Diagram



Online Controlling System Diagram

