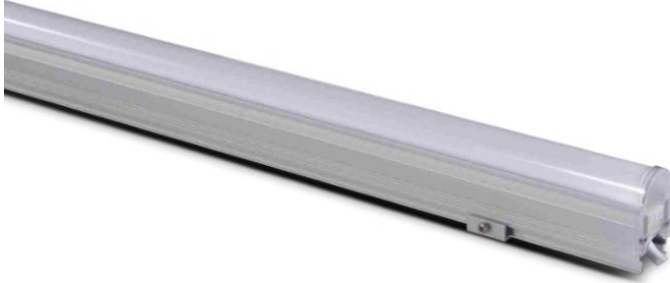


**EXC-D30B LED Linear light**



Application Environment:  
Indoor  
Outdoor

**Product description:**

**EXC-D30B** full color series products are extra-narrow LED linear light with aluminum shell for outdoor landscape decoration. The width of EXC-D30B is only 30mm, each one with 8 pixels and each pixel can realize 256 grade gray scale color changing. EXC-D30B can be applicable for super large area displaying or outline the building. It also can be used to decorate facade inside and outside, even small area wall-washing effect.

**Features**

- The newest generation technology: DMX512 parallel bus design
- Only 30mm width, very compact design.
- Full-sealed filling waterproof design by German imported glue
- Low thermal resistance path heat dissipation design
- Outdoor lightning protection and electrostatic discharge (ESD) protection design

**Basic Specifications**

Color Range	RGB Full color
Light Source	48pcs SMD 3535 LEDs
Source Life	50,000 h
Material	High strength aluminum alloy / PC lampshade
Weight	1.1Kg

**Environmental Specifications**

Working Temperature	-20°C to 50°C
Storage Temperature	-40°C to 70°C
Protection Rating	IP66

**Electrical Specifications**

Working Voltage	DC 24V
Max. Power Consumption	12W

**Optical Specifications**

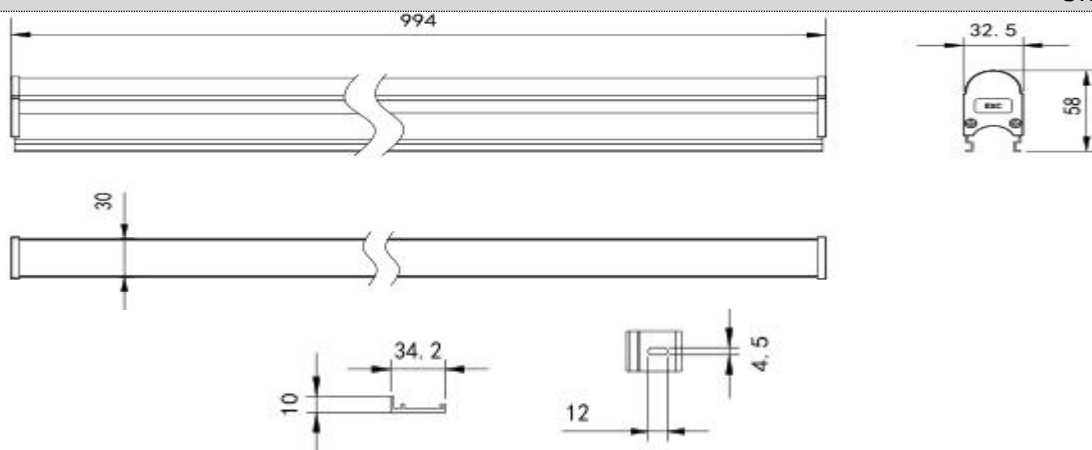
Light Intensity	Mixed white: 600LM (data refer to full color light source)
-----------------	------------------------------------------------------------

Beam Angle	≥110°
<b>Controller</b>	
Host Controller	EXC-4000、EXC-5000、EXC-6000、EXC-8000、EXC-10000、EXC-ELAN
Slave Controller	EXC-2900
<b>Data Interface</b>	
Data Adapter	-
Signal Cable	EXC-LED dedicated outdoor Data cable
<b>Light Intensity Distribution</b>	
Light Intensity Chart	<p>单位/cd — C0/180 116° — C90/270 124°</p>

Order Info												
Series	Item No.	Light Source	Color	Control Method	Gray Scale	Segment	Fault Feed back	Material	Working voltage	Watt age	Lumino us Flux	Light Brand
Standard	EXC-D30B-48M-C0	48 pcs SMD 3535 LEDs	RGB	DMX	256	10	No	Alumini um	DC24V	12W	360LM	Taiwan Series
	EXC-D30B-48F-C0	48 pcs SMD 3535 LEDs	RGB W	DMX	256	10	No	Alumini um	DC24V	12W	600LM	Taiwan Series
Economic	EXC-D30B-48M-B0	48 pcs SMD 3535 LEDs	RGB	SDI	256	10	No	Alumini um	DC24V	12W	360LM	Taiwan Series
	EXC-D30B-48F-B0	48 pcs SMD 3535 LEDs	RGB W	SDI	256	10	No	Alumini um	DC24V	12W	600LM	Taiwan Series

## Physical Dimension

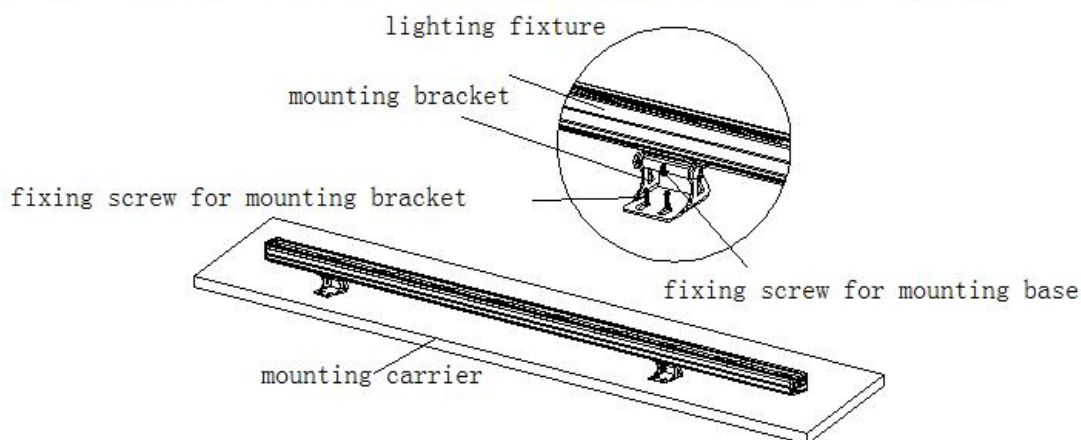
Unit: mm



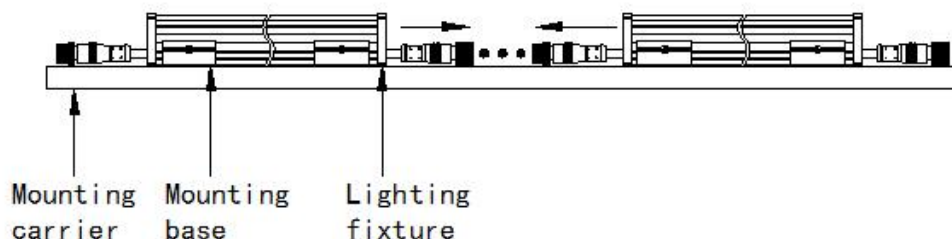
## Installation Diagram

### 1、Facade installation

Step1: According to below picture, use M4 screw fix lighting fixture to mounting bracket requirement position, use mounting base to fix mounting bracket, fasten mounting base screw, fasten screw after adjust lighting fixture viewing angle.



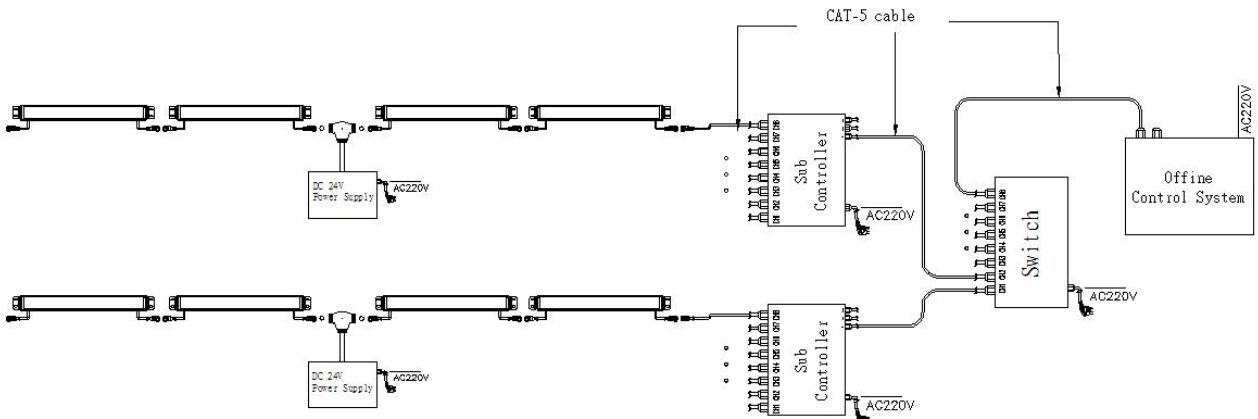
Step2: According to below picture, connect male and female connector



**System connection diagram:**

- 1、 Host controller should connect with slave controller. Working voltage for controllers are AC220V.
- 2、 On-line main controller should connect with slave controller, on-line main controller and sub controller working voltage are AC220V.
- 3、 each sub-controller with 8 ports, with each port 512 pixels, supporting data converter, supports 100 meters ultra-long haul transmission.
- 4、 The CAT-5 e. cable distance should be within 100 meters between host controller and slave controller, between slave controllers and switch, etc.
- 5、 the maximum spacing of not more than 5 meters, more than the need to add a signal amplifier.

**Offline Controlling System Diagram**



**Online Controlling System Diagram**

