

Product Name: EXC-2900 Controller

Application
Environment:
Indoor
Outdoor**Product Description**

The EXC-2900 controller is designed for large and medium-sized outdoor lighting engineering project. Using advanced digital video processing technology and FPGA technology, optimize the algorithm model is the core to achieve perfect video performance. Supporting EXC off-line medium light controller EXC-5000, large online EXC-6000 lighting controller series, super control EXC-10000 controller, 8 port supporting the design of smart city cluster light Internet control system of the controller. The controller is used to optimize the network transmission protocol, supports standard fast LAN connection, very flexible. EXC-2900 controller is matched with the switch of supporting the use of the lighting system network, can also support the standard exchange unit and use of the existing network or LAN resources.

Features

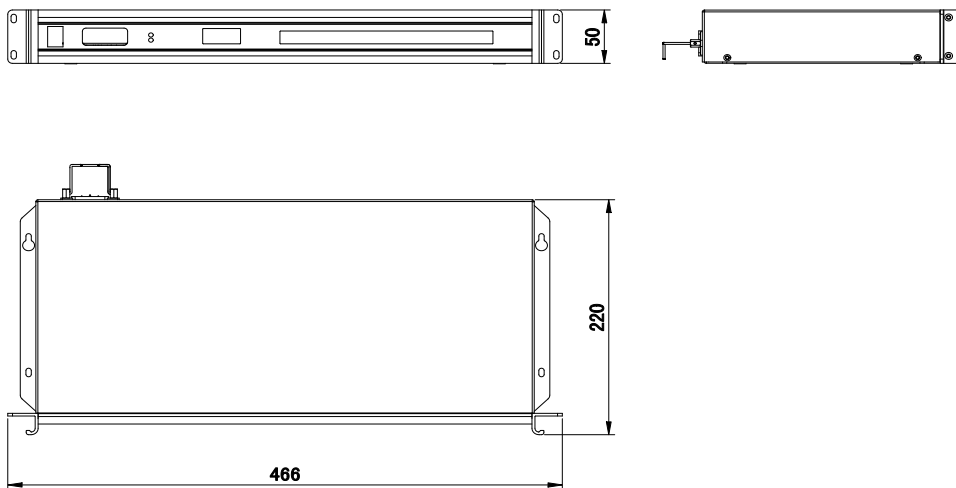
- Sub-Controller, Need work with main controller
- 8 output port, max 512 pixels
- Support Ethernet Interface and TCP/IP/UDP protocol
- Support parallel connection with switch: decrease the amount of the cascade connection of the controllers to increase the system stability.
- Support GPS synchronize / BTS synchronize control system
- Maximum support 60 FPS. support 65536 gray scale.
- Support standard DMX512/1990 protocol and expand DMX512 protocol
- Support independently control of the Red, Green, Blue color. Users will get the mix-white color. more effective and easier.
- Support automated, timing, preset program files.
- Support different type of protocol in one system.
- More effective protection circuit to protect each ports of the controller.
- Support all series of EXC products.

Basic Parameters	
External Size	470x220x50 mm
Shell Material	High quality electro-galvanized steel sheet + power injection
Weight	2.2kg
Output port	Eight
Support light fixture	EXC all series and standard DMX512
Storage Medium	SD Card
Communication port	1000Mbps Ethernet port x2
Communication Protocol	TCP / IP / UDP protocol

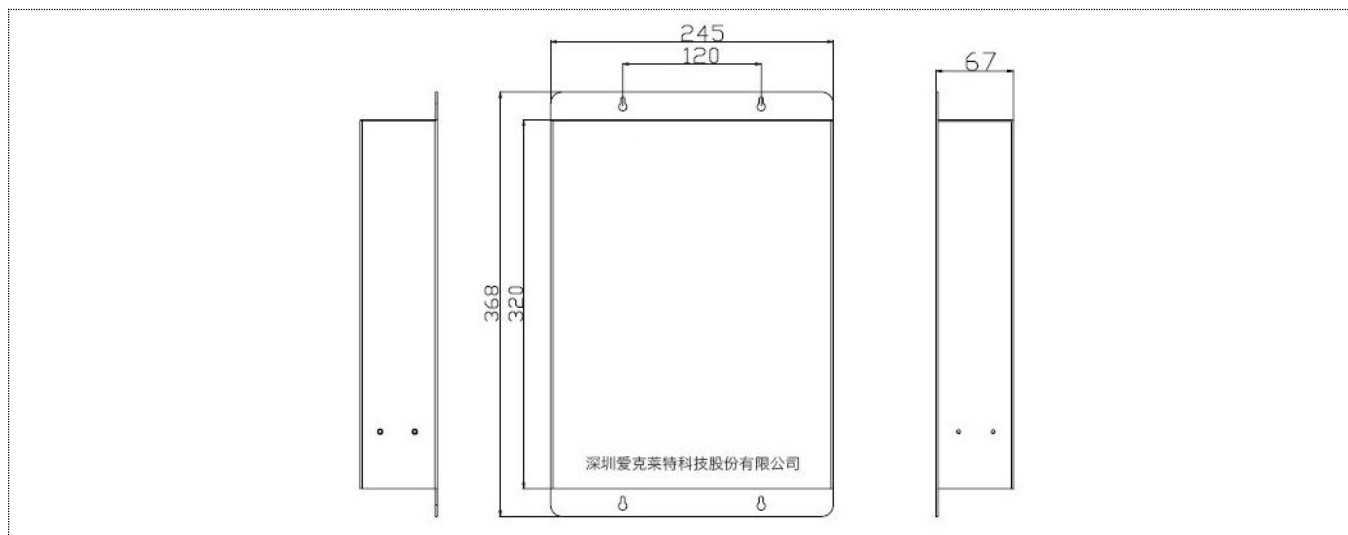
Working Condition	
Working Temperature	-20° C TO 55° C
Storage Temperature	-40° C TO 70° C
Protection Rating	IP43

Electric Parameters	
Signal Connector	Dedicated EXC connector
Working Voltage	AC 220V
Maximum Wattage	15W

Physical Size:



Waterproof :



Available Model					
Series	Model	Main Features	Working Voltage	Max Wattage	Size
EXC2900-II	EXC2900-E2P007A	The second generation、Indoor	AC220V	15W	290*150*45mm
	EXC2900-E2P007B	The second generation、Indoor	AC220V	15W	290*150*45mm
EXC2900-II	EXC2900-E2P007A	The second generation、waterproof	AC220V	15W	290*150*45mm
	EXC2900-E2P007B	The second generation、waterproof	AC220V	15W	290*150*45mm
EXC2900-III	EXC2900-E3P007A	The third generation、waterproof、Indoor	AC220V	15W	470*220*50mm
	EXC2900-E3P007B	The third generation、waterproof、Indoor	AC220V	15W	470*220*50mm

System Diagram Wire:

