

**U20CAB0 LED Linear light**



Application Environment:  
Indoor  
Outdoor

**Description:**

**U20CAB0 white color series** products are extra-narrow LED linear light with aluminum shell for outdoor landscape decoration. The width of U20CAB0 is only 22mm. U20CAB0 can be applicable for super large area displaying or outline the building. It also can be used to decorate facade inside and outside, even small area wall-washing effect.

**Features:**

- Only 22mm width, very compact design.
- Full-sealed filling waterproof design by German imported glue
- Aluminum alloy lamp body with low thermal resistance path heat dissipation design
- Outdoor lightning protection and electrostatic discharge (ESD) protection design

**Basic Specifications**

|              |   |
|--------------|---|
| Color Range  | white color (2200-6500K)                  |
| Light Source | 48 pcs SMD 2835 W LEDs                    |
| Source Life  | 50,000 h                                  |
| Material     | High strength aluminum alloy/PC lampshade |
| Weight       | 0.55Kg                                    |

**Environmental Specifications**

|                     |               |
|---------------------|---------------|
| Working Temperature | -20°C to 50°C |
| Storage Temperature | -40°C to 70°C |
| Protection Rating   | IP66          |

**Electrical Specifications**

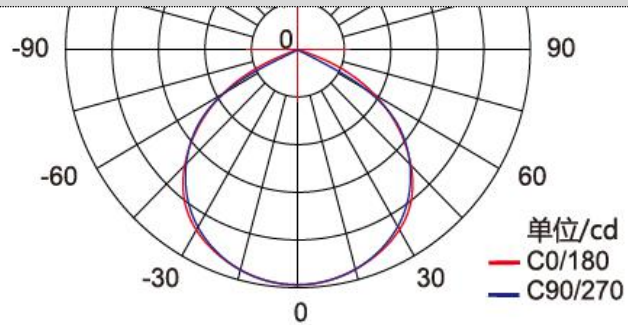
|                        |        |
|------------------------|--------|
| Working Voltage        | DC 24V |
| Max. Power Consumption | 12W    |

**Optical Specifications**

|                 |               |
|-----------------|---------------|
| Light Intensity | (White):600LM |
| Beam Angle      | ≥110°         |

## Light Intensity Distribution

Light Intensity Chart

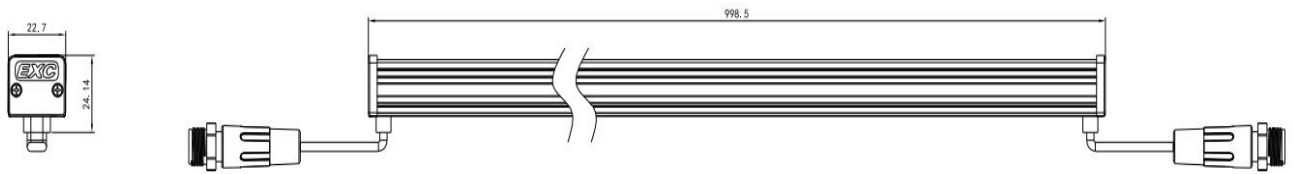


## Order Info

| Series   | Item No.       | Light Source         | Color | Control Method | Gray Scale | Segment | Fault Feedback | Material | Working voltage | Wattage | Light Intensity | Light Brand |
|----------|----------------|----------------------|-------|----------------|------------|---------|----------------|----------|-----------------|---------|-----------------|-------------|
| Economic | U20CAB0-48W-D1 | 48 pcs SMD 2835 LEDs | W     | normally on    | -          | -       | NO             | Aluminum | DC24V           | 12W     | 600lm           | Optional    |

## Physical Dimension

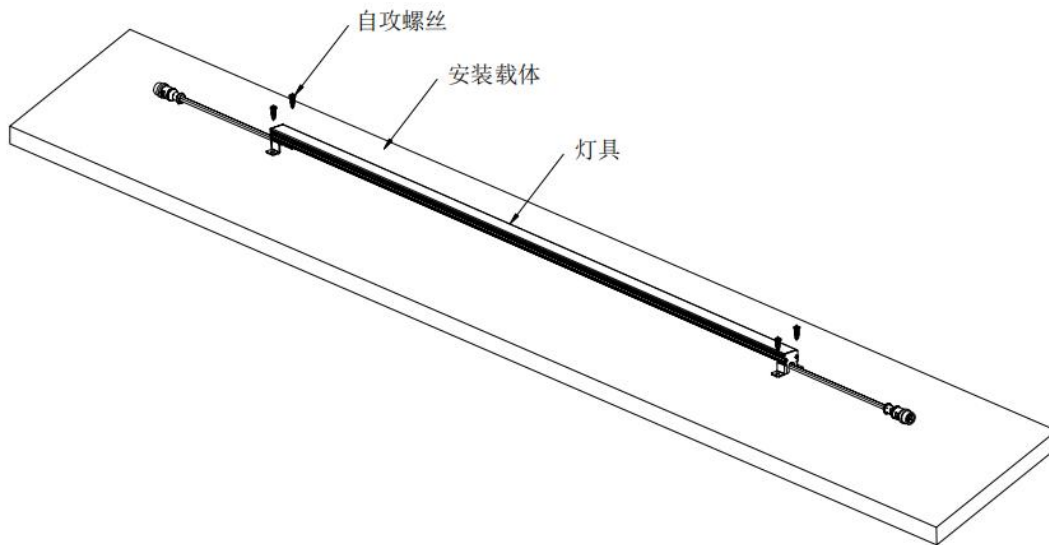
单位: mm Unit: mm



## Installation Diagram

### Facade installation

Step 1: Fix the lamp on the carrier with ST4 tapping screw, and pay attention to firm installation.



Step 2: As shown in the figure, connect the male and female heads of the waterproof connector through threads, and pay attention to firm installation.

