

EXC-B175BBH LED flood light



Application Environment:

Indoor
Outdoor

Description:

EXC-B175BBH project-light lamp series products are specially designed for outdoor landscape lighting design of a high strength aluminum alloy shell, bar monochromatic high-power extremely lamp; Can be used for specific lighting area or landscape projection light column, applied to the building high elevation, cylinder face and so on; The projection is high and the effect is outstanding.

Features:

- The newest generation technology: DMX512 parallel bus design
- Patent comb convection heat dissipation design
- Low thermal resistance path cooling design
- Unique waterproof and ventilation design
- Lightning and ESD protection

Basic Specifications

Color Range	white color (optional)
Light Source	2*36pcs SMD W LEDs
Source Life	50, 000 H
Material	High Strength Aluminum housing / tempered glass
Weight	18.855Kg

Environmental Specifications

Working Temperature	-20°C to 50°C
Storage Temperature	-40°C to 70°C
Protection Rating	IP66

Electrical Specifications

Working Voltage	AC220V
Max. Power Consumption	2*100W

Optical Specifications

Light Intensity	White:14000LM
Beam Angle	3° optional

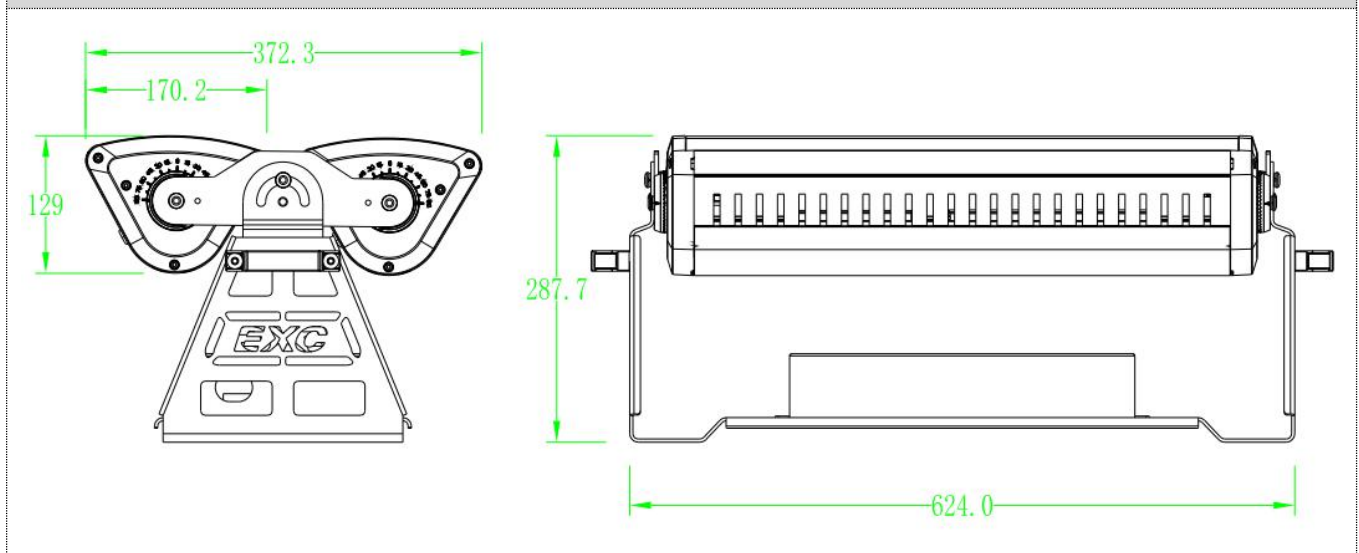
Controller	
Host Controller	EXC-4000、EXC-5000、EXC-6000、EXC-8000、EXC-10000 等系列
Slave Controller	EXC-2900
Data Interface	
Data Adapter	-
Signal Cable	EXC-LED outdoor special cable
Light Intensity Distribution	
Light Intensity Chart	<p>单位/cd — C0/180 — C90/270</p>

Order Info												
Series	Item No.	Light Source	Color	Control Method	Gray Scale	Segment	Fault Feedback	Material	Working voltage	Wattage	Light Intensity	Light Brand
standard	EXC-B17 5BBH-21 6F-C0	3*72RGB W	RGB W	DMX 512	256/ 65536	-	-	Aluminum	AC 220V	2*15 0W	15000LM	GREE
	EXC-B17 5BBH-14 4F-C0	3*48RGB W	RGB W	DMX 512	256/ 65536	-	-	Aluminum	AC 220V	2*10 0W	10000LM	GREE
	EXC-B17 5BBH-21 6F-C0	3*(18R+18 G+18B+18 W)	R+G+ B+W	DMX 512	256/ 65536	-	-	Aluminum	AC 220V	2*18 0W	14400LM	GREE
	EXC-B17 5BBH-14 4M-C0	2*(24R+24 G+24B)	R+G+ B	DMX 512	256/ 65536	-	-	Aluminum	AC 220V	2*18 0W	10800LM	GREE
	EXC-B17 5BBH-14 4F-C0	2*(12R+12 G+12B+12 W)	R+G+ B+W	DMX 512	256/ 65536	-	-	Aluminum	AC 220V	2*15 0W	18000LM	GREE
	EXC-B17 5BBH-96 M-C0	2*(16R+16 G+16B)	R+G+ B	DMX 512	256/ 65536	-	-	Aluminum	AC 220V	2*15 0W	9000LM	GREE

Economic	EXC-B17 5BBH-14 4W-D1	2*72W	W	ON/ OFF	-	-	-	Aluminum	AC 220V	2*12 0W	16800LM	CREE
	EXC-B17 5BBH-96 W-D1	2*48W	W	ON/ OFF	-	-	-	Aluminum	AC 220V	2*12 0W	16800LM	CREE
	EXC-B17 5BBH-72 W-D1	2*36W	W	ON/ OFF	-	-	-	Aluminum	AC 220V	2*12 0W	16800LM	CREE
	EXC-B17 5BBH-72 W-D1	2*36W	W	ON/ OFF	-	-	-	Aluminum	AC 220V	2*10 0W	14000LM	CREE

Physical Dimension

Unit: mm

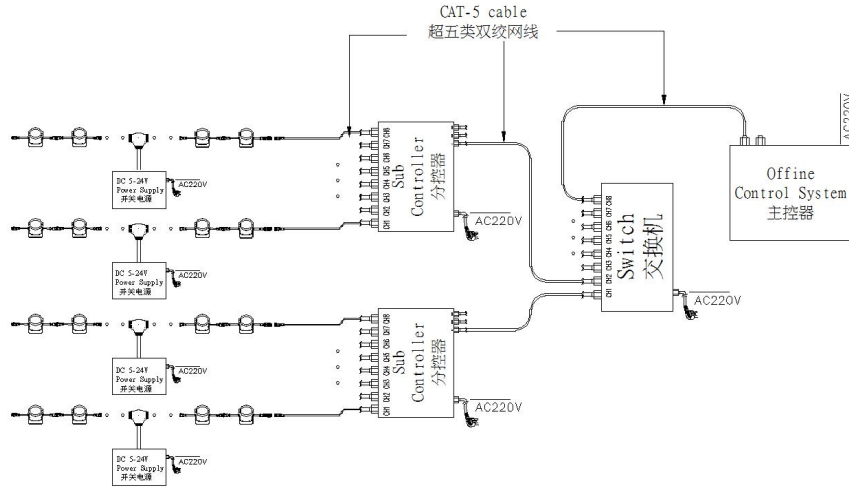


Installation Diagram

System connection diagram:

- 1、 Host controller should connect with slave controller. Working voltage for controllers are AC220V.
- 2、 On-line main controller should connect with slave controller, on-line main controller and sub controller working voltage are AC220V.
- 3、 each sub-controller with 8 ports, with each port 512 pixels, supporting data converter, supports 100 meters ultra-long haul transmission.
- 4、 The CAT-5 e. cable distance should be within 100 meters between host controller and slave controller, between slave controllers and switch, etc.
- 5、 the maximum spacing of not more than 5 meters, more than the need to add a signal amplifier.

Offline Controlling System Diagram



Online Controlling System Diagram

