

EXC-B50A LED Flood Light



Application Environment:
Indoor
Outdoor

Description

EXC-B50A full color series are high strength aluminum housing LED wall washer with high power spot light, adopt CREE light source, which is designed for outdoor landscape lighting by EXC-LED. Each lighting fixture is a separate lighting pixel, and each pixel can realize 256 grades gray scale changing. EXC-B50A can be used for accent lighting or flood lighting, such as building facade, bridge, stage, etc.

Features

- RGBW
- RGBW Four-primary Light Intensity design
- High strength aluminum and low thermal resistance path cooling design
- High reliability modularization design
- Outdoor lighting protection and electrostatic discharge (ESD) protection design
- Load safety design
- Projection distance: 1-3m

Basic Specifications

Color Range	RGBW 16777216 RGBW full color
Light Source	1 pcs 4W RGBW High Power LED
Source Life	50,000 h
Material	High Strength Aluminum housing + tempered glass
Weight	0.45kg

Environmental Specifications

Working Temperature	-30°C to 50°C
Storage Temperature	-40°C to 70°C
Protection Rating	IP66

Electrical Specifications

Working Voltage	DC 24V
-----------------	--------

Max. Power Consumption	4W
Optical Specifications	
Light Intensity	Mixed White: 180LM (data refers to full color light source)
Beam Angle	8°、10°、15°、25°

Controller	
Host Controller	EXC-4000、EXC-5000、EXC-6000、EXC-8000、EXC-10000、EXC-ELAN
Slave Controller	EXC-2900
Data Interface	
Data Adapter	-
Signal Cable	EXC-LED outdoor special cable

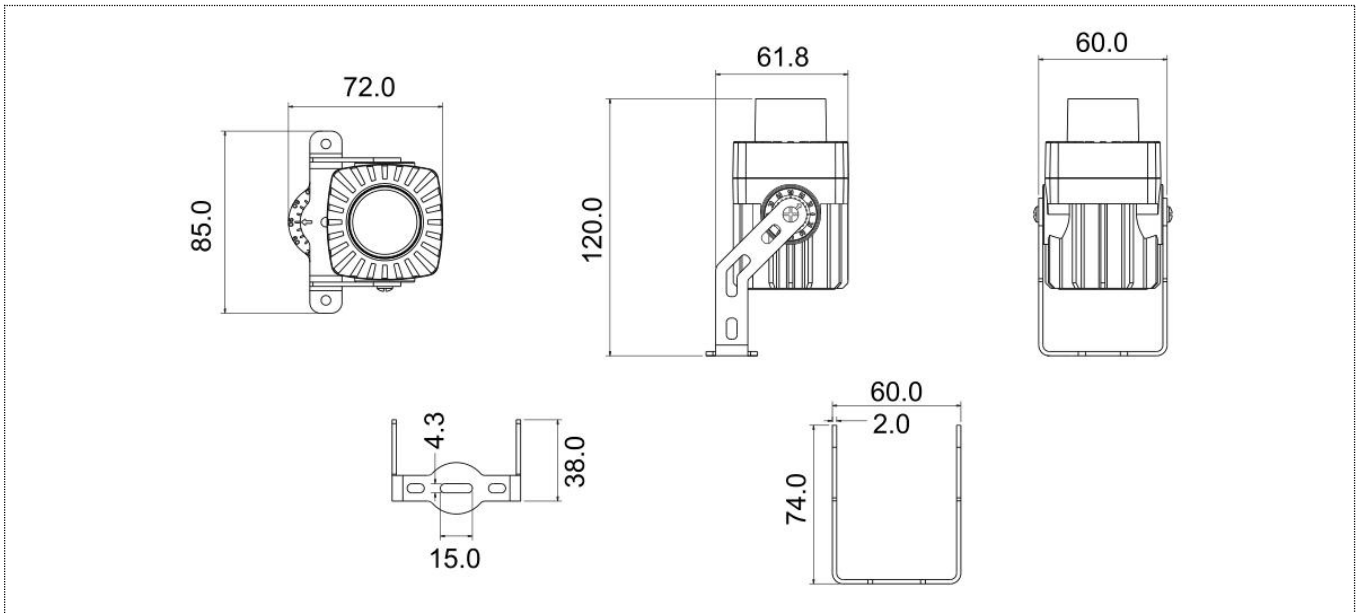
Light Intensity Distribution	
<p>8° Light Intensity Chart</p>	<p>单位/cd — C0/180 8.3° — C90/270 8.2°</p>
<p>25° Light Intensity Chart</p>	<p>单位/cd — C0/180 25.3° — C90/270 25.5°</p>

Order Info												
Seri es	Item No.	Light Source	Co lo r	Cont rol Method	Gray Scal e	Segme nt	Faul t Feed back	Material	Work ing voltage	Wa tt age	Lumi nous Flux	Ligh t Brand

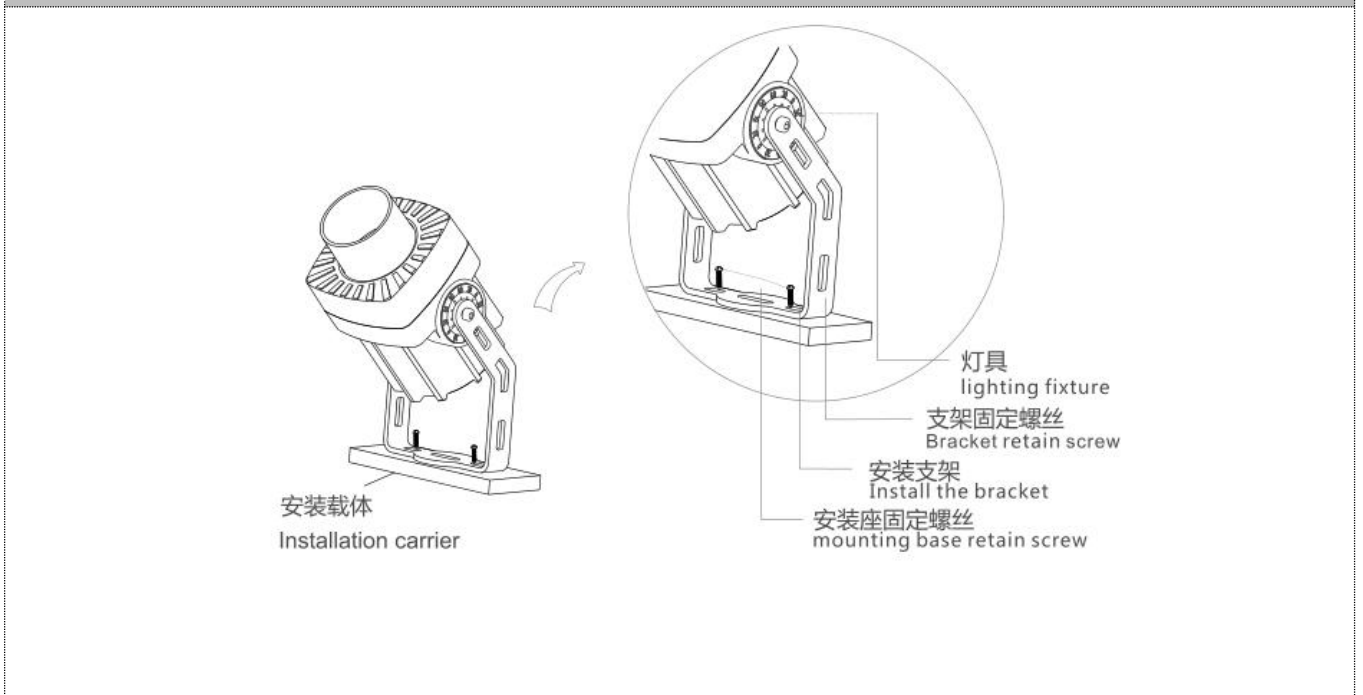
Intelligent	EXC-B50A-1F-A0	1 pcs RGBW LEDs	R G B W	DMX	65536	1	Yes	Aluminium	DC24V	4W	180LM	CREE
	EXC-B50A-1F-A1	1 pcs RGBW LEDs	R G B W	DMX	65536	1	Yes	Aluminium	DC24V	4W	180LM	CREE
Professional	EXC-B50A-1F-B0	1 pcs RGBW LEDs	R G B W	DMX	4096	1	-	Aluminium	DC24V	4W	180LM	CREE
	EXC-B50A-1F-B1	1 pcs RGBW LEDs	R G B W	DMX	4096	1	-	Aluminium	DC24V	4W	180LM	CREE
Standard	EXC-B50A-1M-C0	1 pcs RGB LEDs	R G B	DMX	256	1	-	Aluminium	DC24V	3W	150LM	Taiwan Series
	EXC-B50A-1M-C0	1 pcs RGB LEDs	R G B	DMX	256	1	-	Aluminium	DC24V	3W	150LM	Taiwan Series
	EXC-B50A-1W-C1	1 pcs W LEDs	W	DMX	256	1	-	Aluminium	DC24V	3W	180LM	Taiwan Series
	EXC-B50A-1W-C1	1 pcs W LEDs	W	DMX	256	1	-	Aluminium	DC24V	3W	180LM	Taiwan Series
Economic	EXC-B50A-1W-D0	1 pcs W LEDs	W	SDI	-	-	-	Aluminium	DC24V	3W	180LM	Taiwan Series
	EXC-B50A-1W-D0	1 pcs W LEDs	W	SDI	-	-	-	Aluminium	DC24V	3W	180LM	Taiwan Series

Physical Dimension

Unit: mm



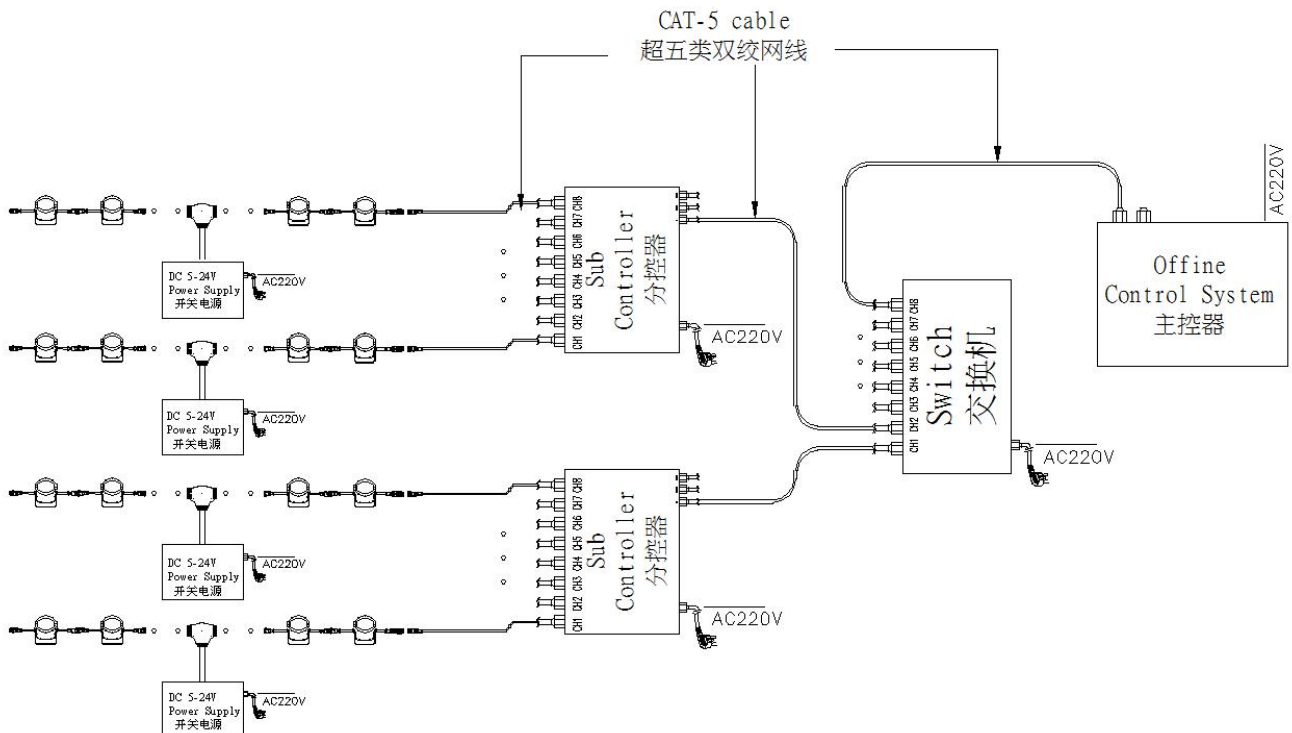
Installation Diagram



System connection diagram:

- 1、 Host controller should connect with slave controller. Working voltage for controllers are AC220V.
- 2、 On-line main controller should connect with slave controller, on-line main controller and sub controller working voltage are AC220V.
- 3、 each sub-controller with 8 ports, with each port 512 pixels, supporting data converter, supports 100 meters ultra-long haul transmission.
- 4、 The CAT-5 e. cable distance should be within 100 meters between host controller and slave controller between slave controllers and switch, etc.
- 5、 the maximum spacing of not more than 5 meters, more than the need to add a signal amplifier.

Offline Controlling System Diagram



Online Controlling System Diagram

