

EXC-W80B Multi-pixel LED Wall Washer



Application Environment:
Indoor
Outdoor

Description

EXC-W80B full color series are high power outdoor landscape LED wall washer with high strength aluminum alloy housing by EXC-LED. EXC-W80B can be used for accent lighting or flood lighting, such as building facade, bridge, stage, etc. Customized lighting fixture length available.

Features

- The newest generation technology: DMX512 parallel bus design
- Professional comb convection heat dissipation design
- Unique waterproof and breathable design
- Low thermal resistance path heat dissipation design
- Outdoor lightning protection and electrostatic discharge (ESD) protection design
- Projection distance: 1-10m

Basic Specifications

Color Range	RGB Full color
Light Source	72 pcs High Power LEDs
Source Life	50,000 h
Material	High Strength Aluminum housing + tempered glass
Weight	3.5Kg

Environmental Specifications

Working Temperature	-30°C to 50°C
Storage Temperature	-40°C to 70°C
Protection Rating	IP66

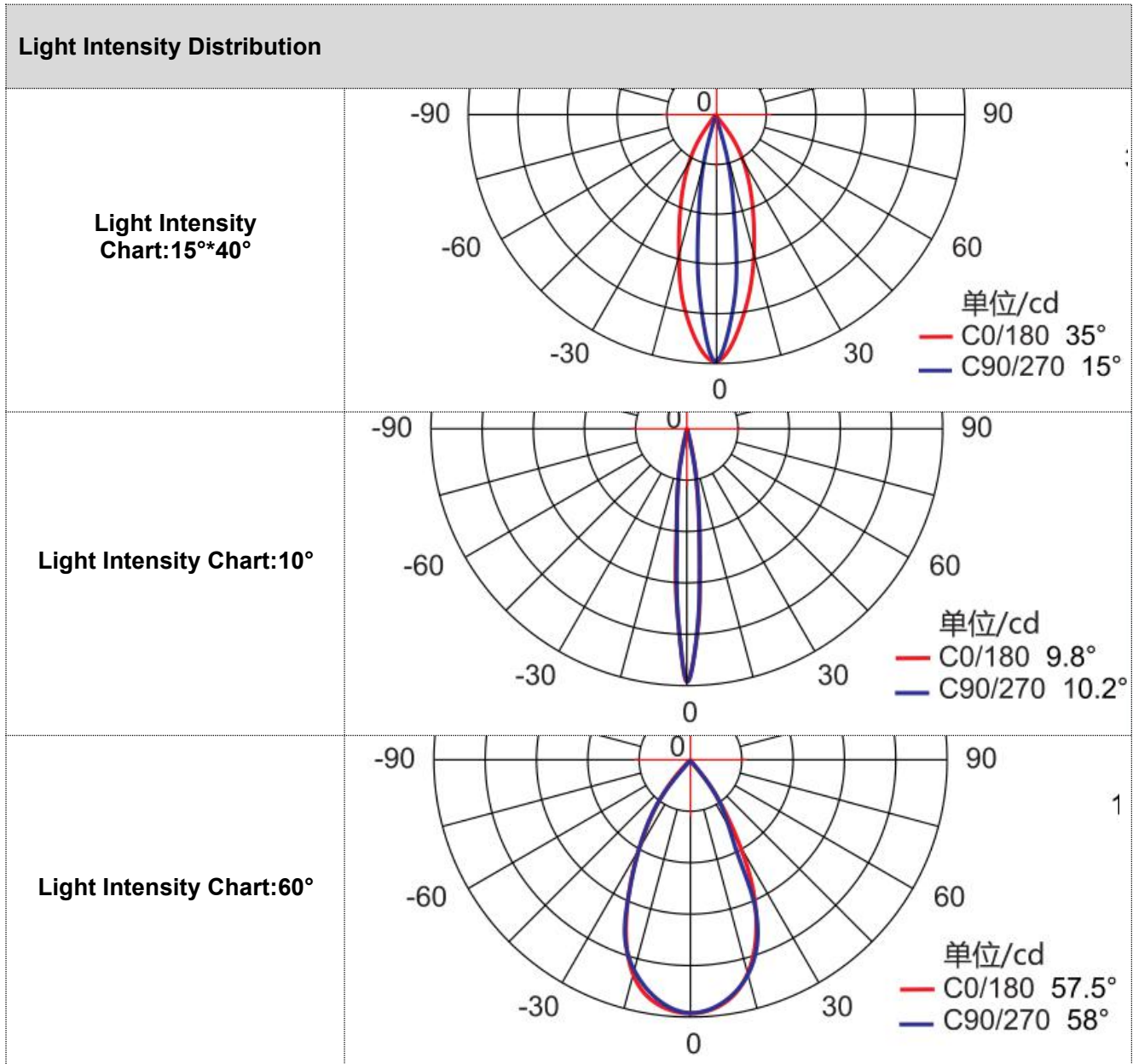
Electrical Specifications

Working Voltage	DC 24V/AC220V
Max. Power Consumption	72W

Optical Specifications

Light Intensity	Mix the white light: 1296/1944LM
-----------------	----------------------------------

Beam Angle	10*65°、30°、45°、60°and other beam angle available
------------	--

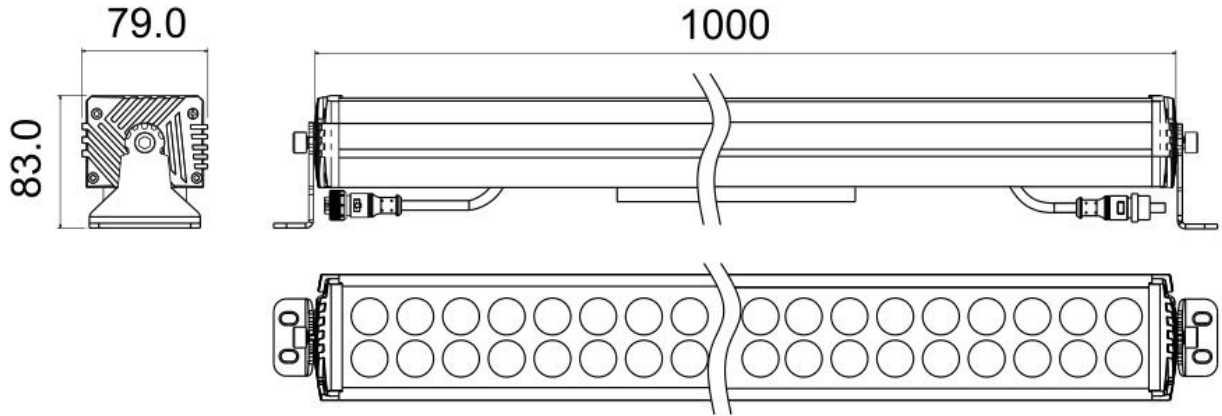


Order Info												
Series	Item No	Light Source	Color	Control Method	Gray Scale	Segment	Fault Feedback	Material	Working voltage	Wattage	Luminous Flux	Light Brand
intelligent	EXC-W80 B-72F-A0	72 pcs RGBW LEDs	RGBW	DMX	65536	1	Yes	Aluminum	DC 24V /AC 220V	72W	1944LM	CREE

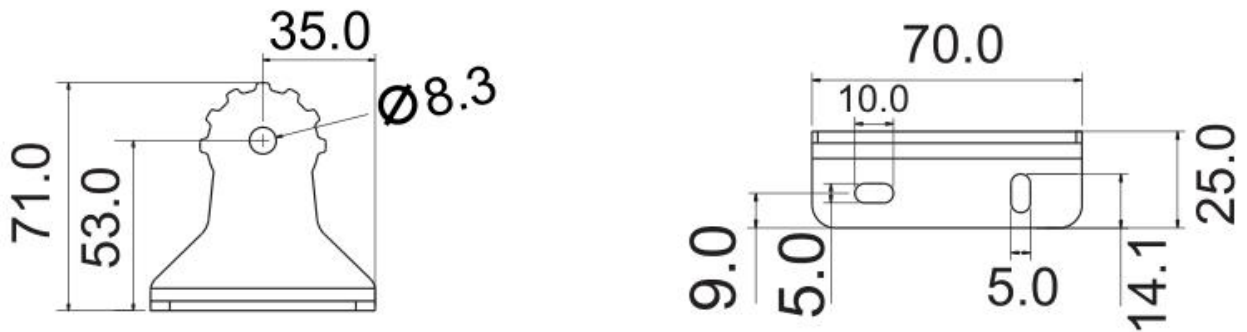
	EXC-W80 B-60F-A0	60 pcs RGBW LEDs	R G B W	DMX	65536	1	Yes	Aluminum	DC 24V /AC 220V	60 W	1296LM	CREE
	EXC-W80 B-54F-B0	54 pcs RGBW LEDs	R G B W	DMX	65536	1	Yes	Aluminum	DC 24V /AC 220V	54 W	1944LM	CREE
professional	EXC-W80 B-72F-B0	72 pcs RGBW LEDs	R G B W	DMX	4096	1		Aluminum	DC 24V /AC 220V	72 W	1296LM	CREE
	EXC-W80 B-60F-C0	60 pcs RGBW LEDs	R G B W	DMX	4096	1		Aluminum	DC 24V /AC 220V	60 W	1944LM	CREE
	EXC-W80 B-54F-C0	54 pcs RGBW LEDs	R G B W	DMX	4096	1		Aluminum	DC 24V /AC 220V	54 W	1296LM	CREE
Standard	EXC-W80 B-72M-C1	72 pcs RGBW LEDs	R G B	DMX	256	2		Aluminum	DC 24V /AC 220V	72 W	1944LM	Taiwan Series
	EXC-W80 B-60M-C1	60 pcs RGBW LEDs	R G B	DMX	256	2		Aluminum	DC 24V /AC 220V	60 W	1296LM	Taiwan Series
	EXC-W80 B-54M-D0	54 pcs RGBW LEDs	R G B	DMX	256	2		Aluminum	DC 24V /AC 220V	54 W	1944LM	Taiwan Series
	EXC-W80 B-72W-D0	72 pcs RGBW LEDs	W	DMX	256	1		Aluminum	DC 24V /AC 220V	72 W	1296LM	Taiwan Series
	EXC-W80 B-60W-B0	60 pcs RGBW LEDs	W	DMX	256	1		Aluminum	DC 24V /AC 220V	60 W	1944LM	Taiwan Series
	EXC-W80 B-54W-B0	54 pcs RGBW LEDs	W	DMX	256	1		Aluminum	DC 24V /AC 220V	54 W	1944LM	Taiwan Series
Economic	EXC-W80 B-72W-B0	72 pcs RGBW LEDs	W	On of	-			Aluminum	DC 24V /AC 220V	72 W	1944LM	Taiwan Series
	EXC-W80 B-60W-B0	60 pcs RGBW LEDs	W	On of	-			Aluminum	DC 24V /AC 220V	60 W	1944LM	Taiwan Series
	EXC-W80 B-54W-B0	54 pcs RGBW LEDs	W	On of	-			Aluminum	DC 24V /AC 220V	54 W	1944LM	Taiwan Series

Physical Dimension

Unit: mm



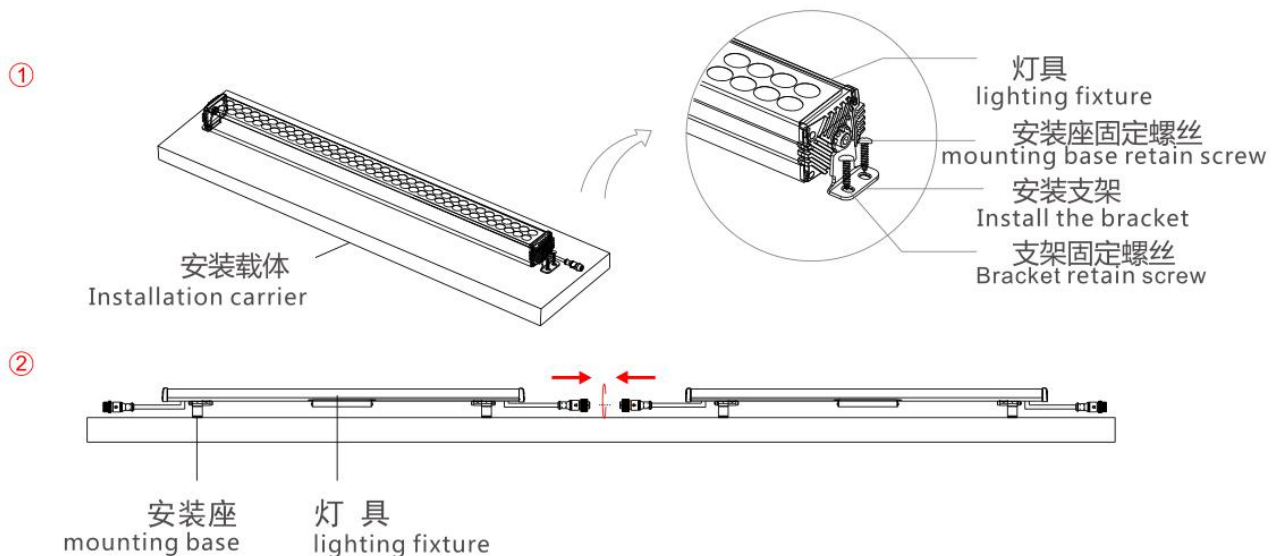
Mounting Accessories :



Installation Diagram

Facade installation

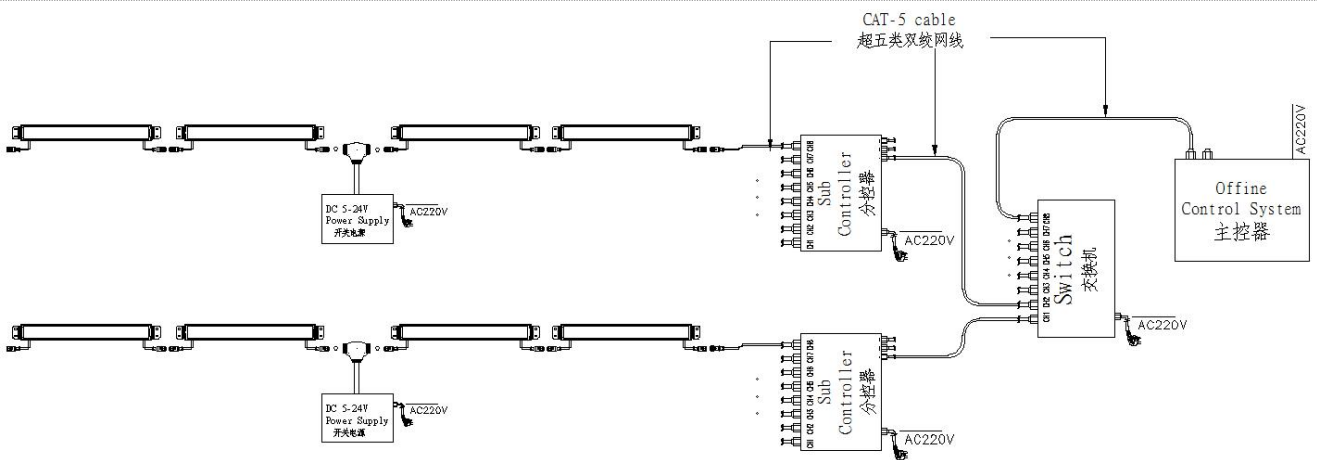
Installation instructions: Use M6 expansion screw to fix the installation seat to the required position as shown in the figure. The specific space shall be according to the length of the lamp.



System connection diagram:

- 1、 Host controller should connect with slave controller. Working voltage for controllers are AC220V.
- 2、 On-line main controller should connect with slave controller, on-line main controller and sub controller working voltage are AC220V.
- 3、 each sub-controller with 8 ports, with each port 512 pixels, supporting data converter, supports 100 meters ultra-long haul transmission.
- 4、 The CAT-5 e. cable distance should be within 100 meters between host controller and slave controller, between slave controllers and switch, etc.
1. 5、 the maximum spacing of not more than 5 meters, more than the need to add a signal amplifier.

Offline Controlling System Diagram



Online Controlling System Diagram

