

EXC-B60 LED Flood Light



Application Environment:
Indoor
Outdoor

Description

EXC-B60 full color series are high strength aluminum housing LED Flood light, adopt high power super narrow spot, which is designed for outdoor landscape lighting by EXC-LED. Each lighting fixture is a separate lighting pixel, and each pixel can realize 256 grades gray scale changing. EXC-B60 can be used for accent lighting or flood lighting, such as building facade, bridge, stage, etc.

产品特点: Features

-
- The newest generation technology: DMX512 parallel bus design
- Super narrow viewing angle design
- High strength aluminum and low thermal resistance path cooling design
- High reliability modularization design
- Outdoor lighting protection and electrostatic discharge (ESD) protection design
- Load safety design
- Projection distance: 1-15m

Basic Specifications

Color Range	RGBW 16777216 RGBW full color
Light Source	1 pcs XML RGBW High Power LED
Source Life	50,000 h
Material	High Strength Aluminum housing + tempered glass
Weight	0.6kg

Environmental Specifications

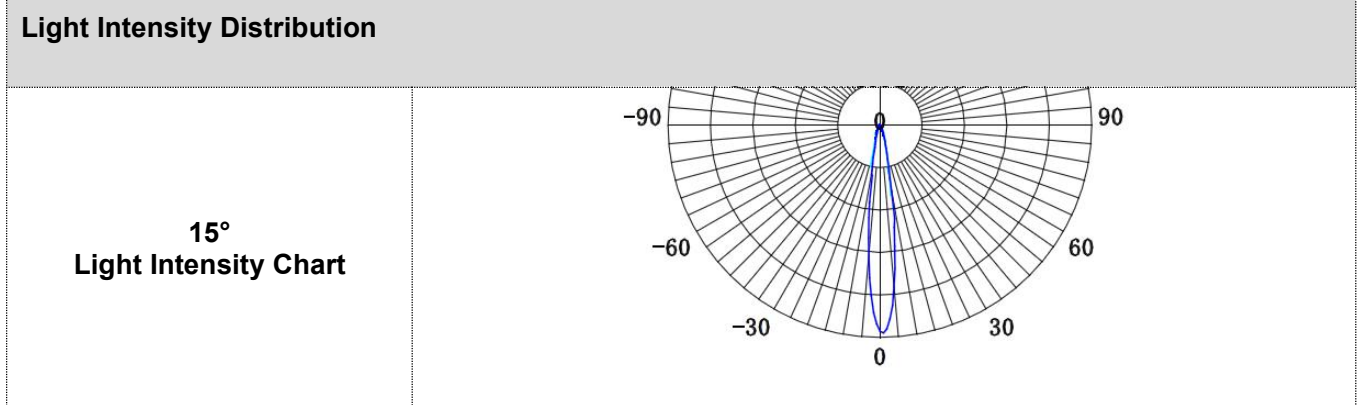
Working Temperature	-30°C to 50°C
Storage Temperature	-40°C to 70°C
Protection Rating	IP66

Electrical Specifications

Working Voltage	DC 24V
-----------------	--------

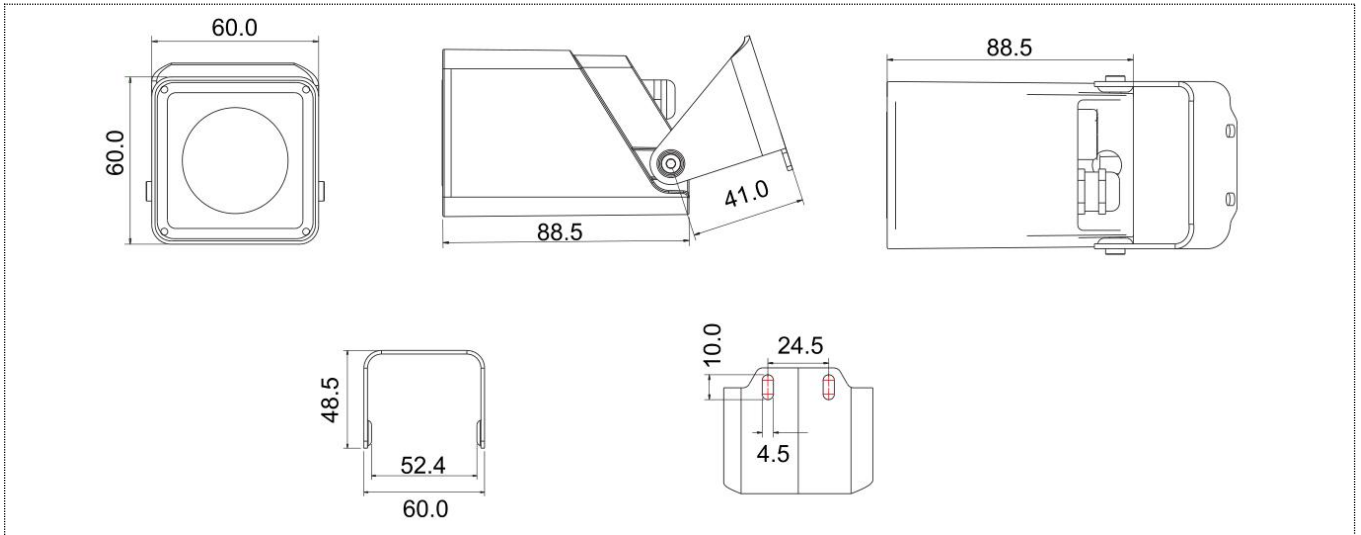
Max. Power Consumption	7.5W
Optical Specifications	
Light Intensity	White: 375LM
Beam Angle	15° and other beam angle available

Controller	
Host Controller	EXC-4000、EXC-5000、EXC-6000、EXC-8000、EXC-10000、EXC-ELAN
Slave Controller	EXC-2900
Data Interface	
Data Adapter	-
Signal Cable	EXC-LED outdoor special cable

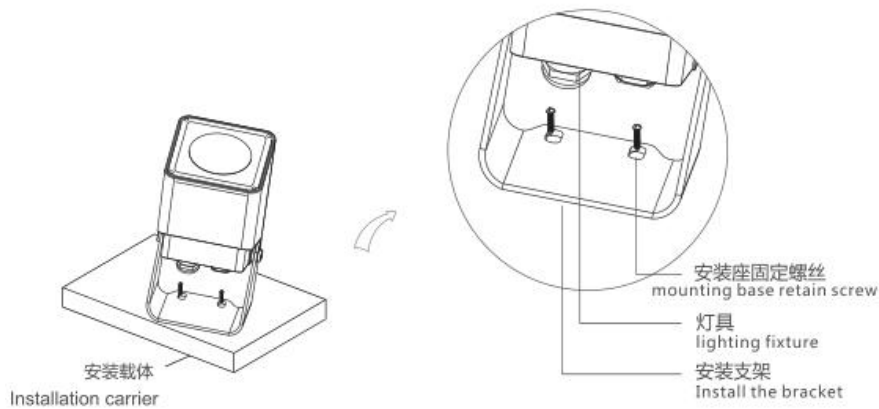


Order Info												
Seri es	Item No.	Light Source	Color	Contro l Method	Gray Scale	Segme nt	Fault Feed back	Mate rial	Worki ng voltage	Wat tage	Lumin ous Flux	Light Bran d
Stan dard	EXC-B6 0-1F-C0	1 pcs RGBW LEDs	RGBW	DMX512	256	1	NO	Alumi nium	DC24 V	7.5 W	375L M	CREE

Physical Dimension	Unit: mm
---------------------------	----------



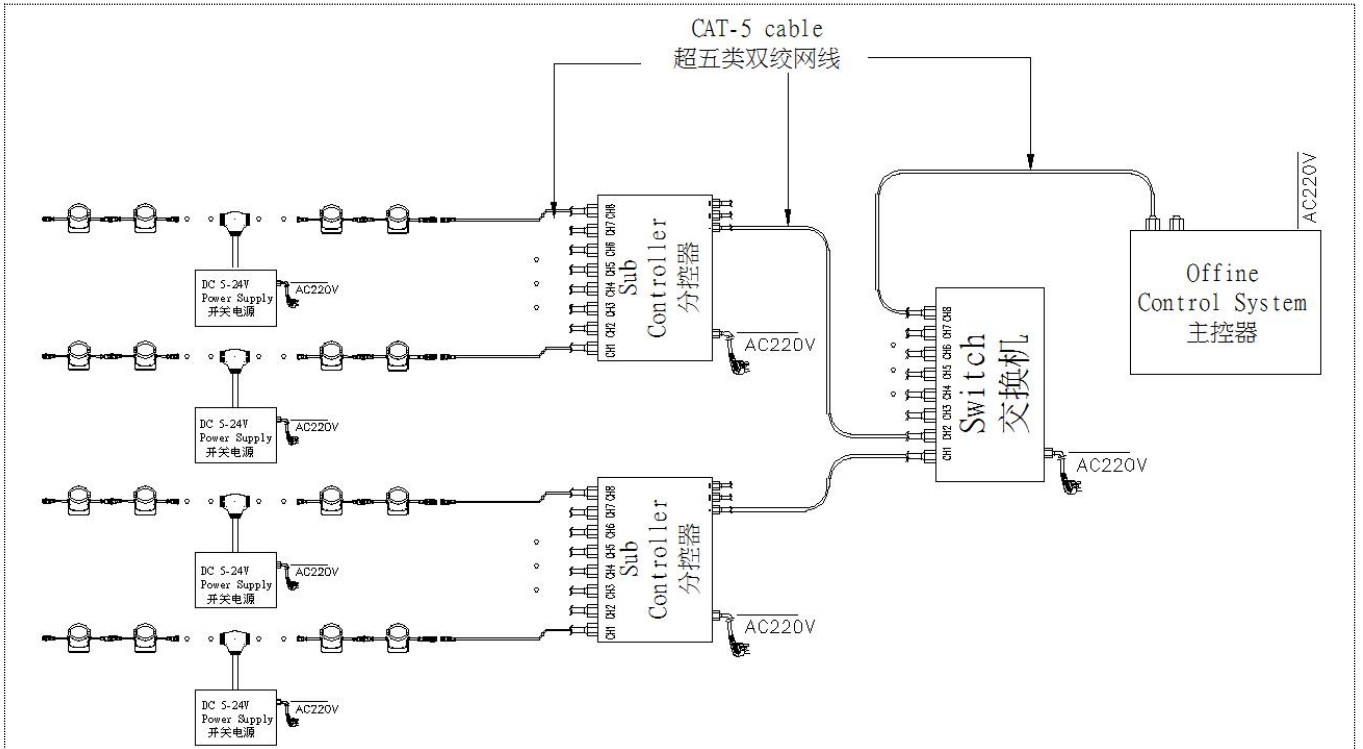
Installation Diagram



System connection diagram:

- 1、 Host controller should connect with slave controller. Working voltage for controllers are AC220V.
- 2、 On-line main controller should connect with slave controller, on-line main controller and sub controller working voltage are AC220V.
- 3、 each sub-controller with 8 ports, with each port 512 pixels, supporting data converter, supports 100 meters ultra-long haul transmission.
- 4、 The CAT-5 e. cable distance should be within 100 meters between host controller and slave controller between slave controllers and switch, etc.
- 5、 the maximum spacing of not more than 5 meters, more than the need to add a signal amplifier.

Offline Controlling System Diagram



Online Controlling System Diagram

