

EXC-U35NA LED Linear light**Application Environment:**Indoor
Outdoor**Product description:**

EXC-U35NA full color series products are extra-narrow LED linear light with aluminum shell for outdoor landscape decoration. The width of EXC-U35NA is only 35mm, each one with 8 pixels and each pixel can realize 256 grade gray scale color changing. EXC-U35NA can be applicable for super large area displaying or outline the building. It also can be used to decorate facade inside and outside, even small area wall-washing effect.

Features

- 2016 new generation of linear light. Optimized design
- The newest generation technology: DMX512 parallel bus design
- higher efficiency, better heat dissipation design, more reliable;
- full-sealed filling waterproof design by German imported glue
- Out-door lightning protection and electrostatic discharge(ESD) protection design
- fully automated production technology, fast delivery;
- CCC, ETL, CE approved.

Basic Specifications

Color Range	16777216 RGB Full color
Light Source	48 pcs SMD 3535 LEDs
Source Life	50,000 h
Material	High strength extruded aluminum/ PC lens
Weight	0.62Kg

Environmental Specifications

Working Temperature	-20°C to 50°C
---------------------	---------------

Storage Temperature -40°C to 70°C

Protection Rating IP66

Electrical Specifications

Working Voltage DC 24V

Max. Power Consumption 18W

Optical Specifications

Light Intensity Mixed white:900LM; (data refer to full color light source)

Beam Angle $\geq 110^\circ$

Controller

Host Controller EXC-4000、EXC-5000、EXC-6000、EXC-8000、EXC-10000、EXC-ELAN

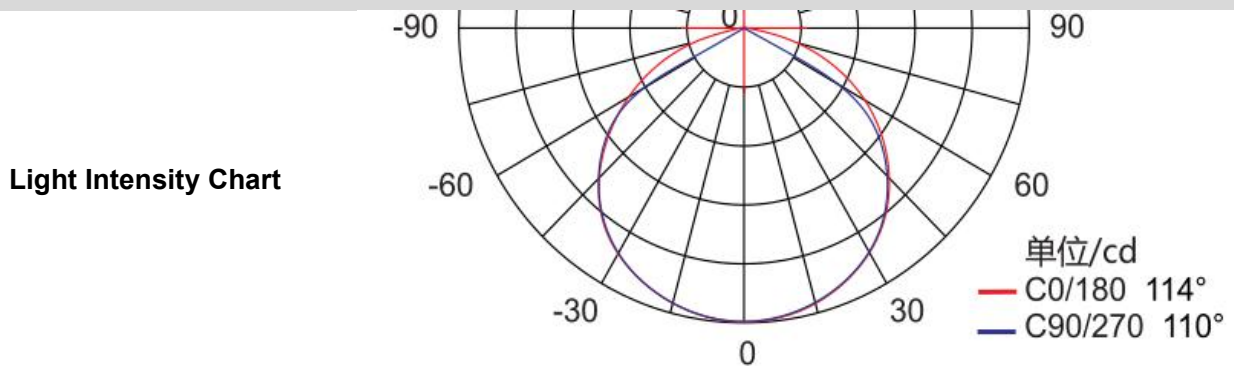
Slave Controller EXC-2900

Data Interface

Data Adapter -

Signal Cable EXC-LED dedicated outdoor Date cable

Light Intensity Distribution



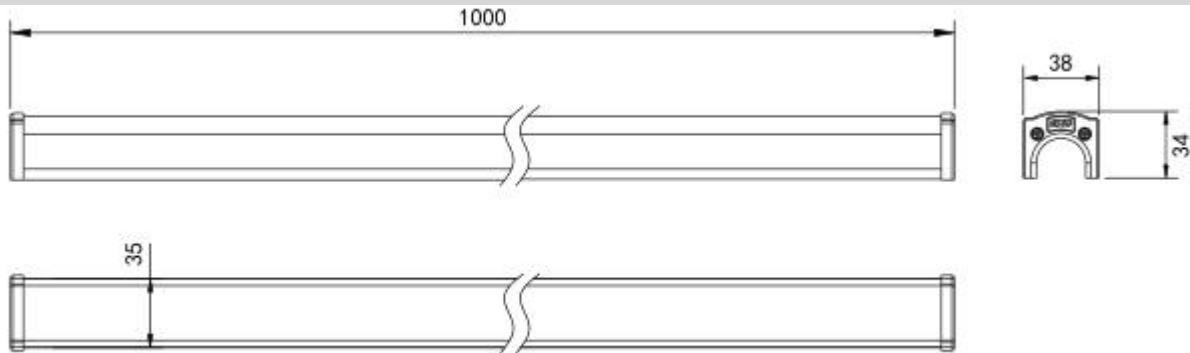
Order Info

Series	Item No.	Light Source	Color	Control Method	Gray Scale	Segment	Fault Feedback	Material	Working voltage	Wattage	Light Intensity	Light Brand
Standard	EXC-U35 NA-48M- C0	48 pcs SMD 3535 LEDs	RGB	parallel connection	256	8	No	Aluminium	DC24V	12W	360LM	Taiwan Series

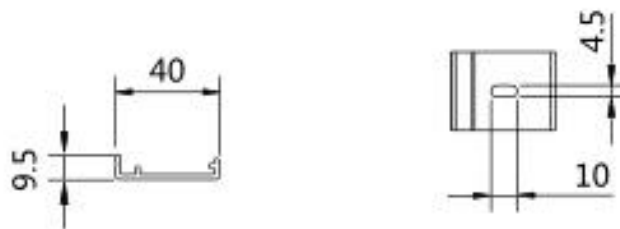
Economic	EXC-U35 NA-60M-C0	60 pcs SMD 3535 LEDs	RGB	parallel connection	256	12	No	Aluminium	DC24V	18W	900LM	Taiwan Series
	EXC-U35 NA-48M-C1	48 pcs SMD 3535 LEDs	RGBW	parallel connection	256	8	No	Aluminium	DC24V	12W	360LM	Taiwan Series
	EXC-U35 NA-48M-D0	48 pcs SMD 3535 LEDs	RGB	series connection	256	8	No	Aluminium	DC24V	12W	360LM	Taiwan Series
	EXC-U35 NA-60M-D0	60 pcs SMD 3535 LEDs	RGB	series connection	256	12	No	Aluminium	DC24V	18W	900LM	Taiwan Series
	EXC-U35 NA-48M-D1	48 pcs SMD 3535 LEDs	RGBW	series connection	256	8	No	Aluminium	DC24V	12W	360LM	Taiwan Series

Physical Dimension

Unit: mm



Mounting Accessories 1:

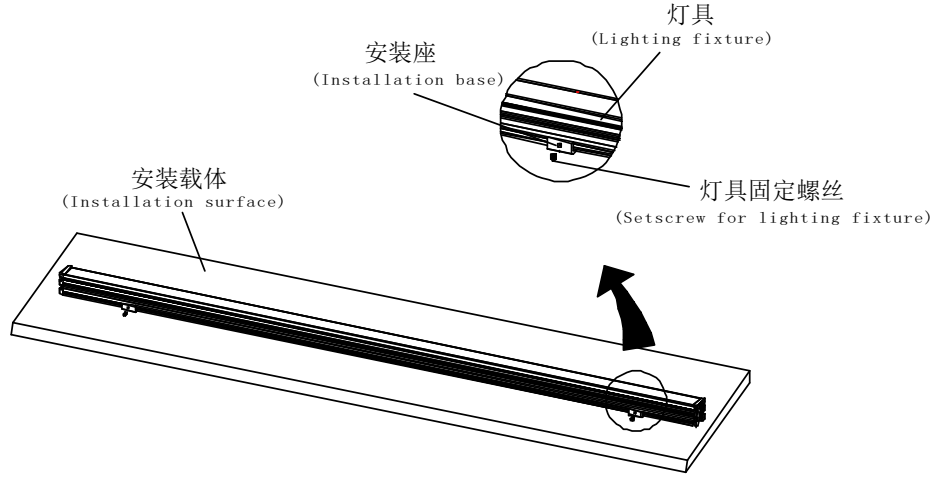


Installation Diagram

1、Facade installation

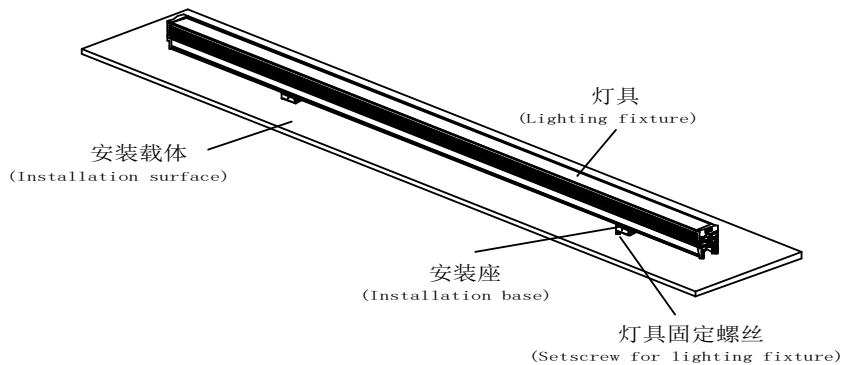
步骤2: 将灯具卡在安装座上,再用M3*12的螺丝通过安装座将灯具锁紧,注意安装牢固。

Step2: Clip the lighting fixture on the installation base, then use the M3 screw lock tightly through the installation base.



步骤2: 将灯具卡在安装座上,再用M4的螺丝通过安装座将灯具锁紧,注意安装牢固。

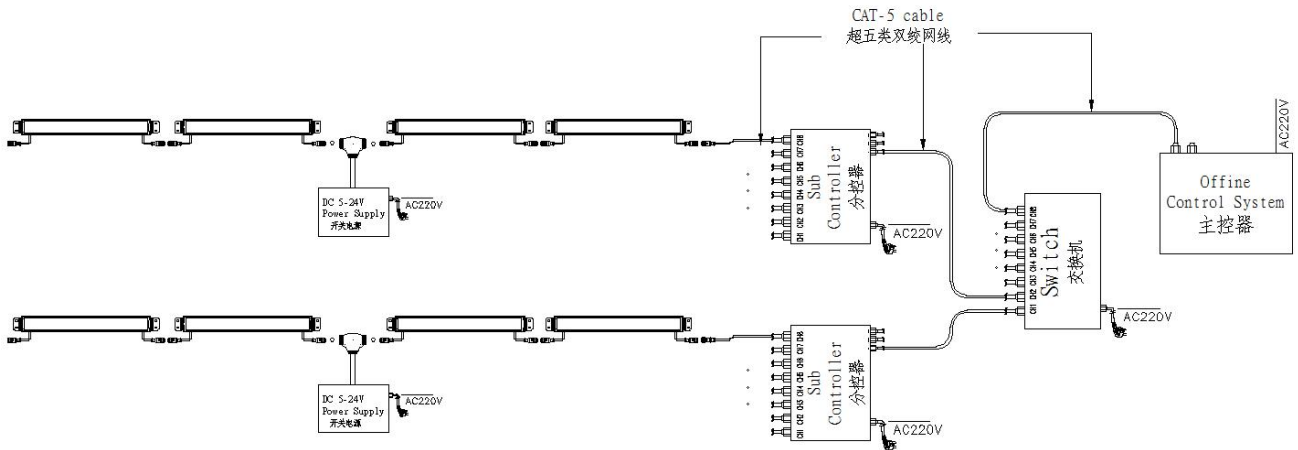
Step2: Clip the lighting fixture on the installation base, then use the M4 screw lock tightly through the installation base.



System connection diagram:

- 1、Host controller should connect with slave controller. Working voltage for controllers are AC220V.
- 2、On-line main controller should connect with slave controller, on-line main controller and sub controller working voltage are AC220V.
- 3、each sub-controller with 8 ports, with each port 512 pixels, supporting data converter, supports 100 meters ultra-long haul transmission.
- 4、The CAT-5 e. cable distance should be within 100 meters between host controller and slave controller, between slave controllers and switch, etc.
- 5、the maximum spacing of not more than 5 meters, more than the need to add a signal amplifier.

Offline Controlling System Diagram



Online Controlling System Diagram

