

EXC-B60A LED Flood Light



Application Environment:
Indoor
Outdoor

Description:

EXC-B60A full color series are high strength aluminum housing LED Flood light, adopt RGB high power super narrow spot with 3° lens, which is designed for outdoor landscape lighting by EXC-LED. Each lighting fixture is a separate lighting pixel, and each pixel can realize 256 grades gray scale changing. EXC-B60A can be used for accent lighting or flood lighting, such as building facade, bridge, stage, etc.

Features:

- Super narrow viewing angle design
- High strength aluminum and low thermal resistance path cooling design
- High reliability modularization design
- Outdoor lighting protection and electrostatic discharge (ESD) protection design
- Load safety design
- Projection distance: 1-25m

Basic Specifications

Color Range	full color
Light Source	1 pcs 3W High Power LED
Source Life	50,000 h
Material	High Strength Aluminum housing + tempered glass
Weight	0.85kg

Environmental Specifications

Working Temperature	-30°C to 50°C
Storage Temperature	-40°C to 70°C
Protection Rating	IP66

Electrical Specifications

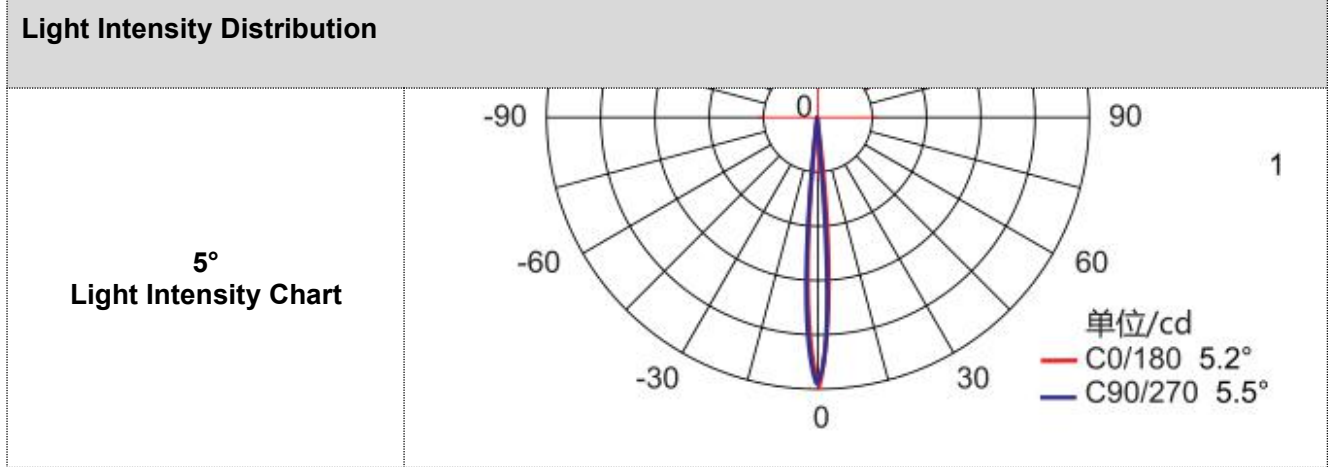
Working Voltage	DC 24V
Max. Power Consumption	3W

Optical Specifications

Light Intensity	White: 240LM
Beam Angle	5°, and other beam angle available

Controller	
Host Controller	EXC-4000、EXC-5000、EXC-6000、EXC-8000、EXC-10000、EXC-ELAN
Slave Controller	EXC-2900

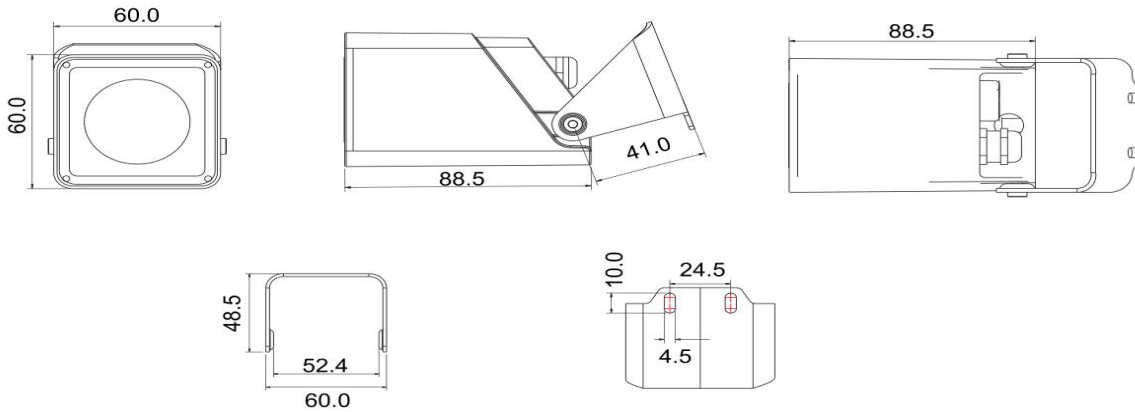
Data Interface	
Data Adapter	-
Signal Cable	EXC-LED outdoor special cable



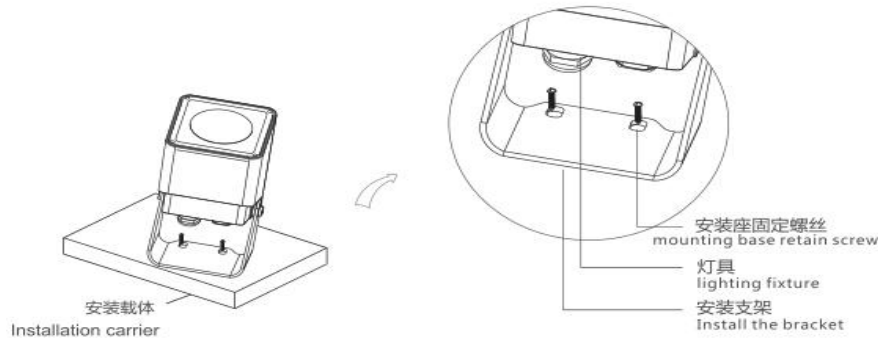
Order Info												
Series	Item No	Light Source	Color	Control Method	Gray Scale	Segment	Fault Feedback	Material	Working voltage	Wattage	Luminous Flux	Light Brand
Standard	EXC-B60A-1W-C0	1 pcs W LEDs	W	parallel connection	256	1	No	Aluminum	DC24V	3W	240LM	CREE
	EXC-B60A-1W-C1	1 pcs W LEDs	W	parallel connection	256	1	No	Aluminum	DC24V	3W	240LM	CREE
Economic	EXC-B60A-1W-D0	1 pcs W LEDs	W	On of	-	-	-	Aluminum	DC24V	3W	240LM	CREE
	EXC-B60A-1W-D0	1 pcs W LEDs	W	On of	-	-	-	Aluminum	DC24V	3W	240LM	CREE

Physical Dimension:

Unit: mm



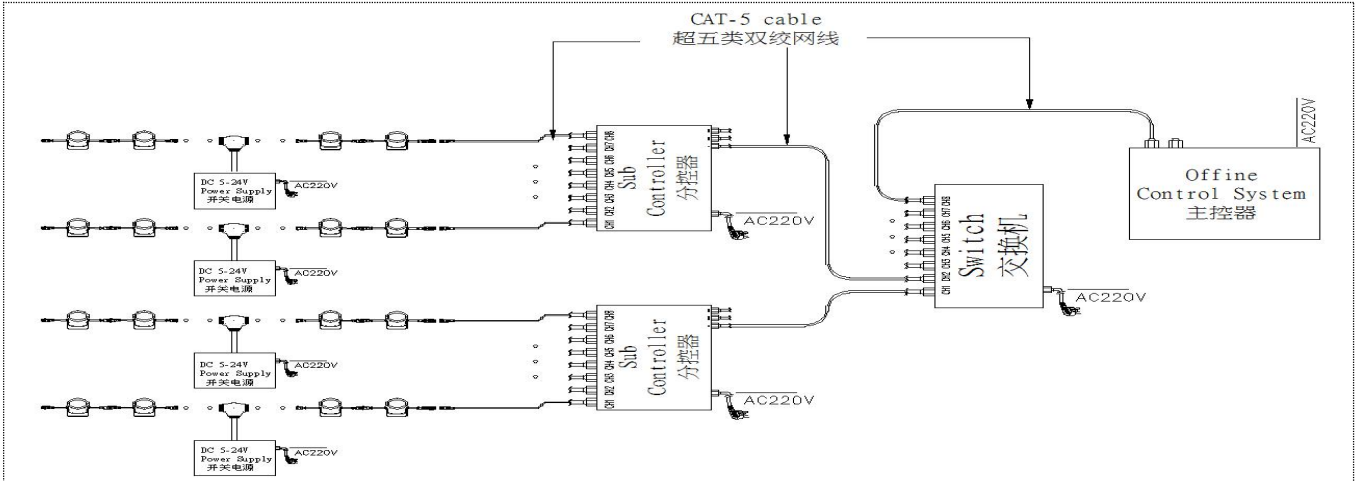
Installation Diagram:



System connection diagram:

- 1、 Host controller should connect with slave controller. Working voltage for controllers are AC220V.
- 2、 On-line main controller should connect with slave controller, on-line main controller and sub controller working voltage are AC220V.
- 3、 each sub-controller with 8 ports, with each port 512 pixels, supporting data converter, supports 100 meters ultra-long haul transmission.
- 4、 The CAT-5 e. cable distance should be within 100 meters between host controller and slave controller between slave controllers and switch, etc.
- 5、 the maximum spacing of not more than 5 meters, more than the need to add a signal amplifier.

Offline Controlling System Diagram



Online Controlling System Diagram

